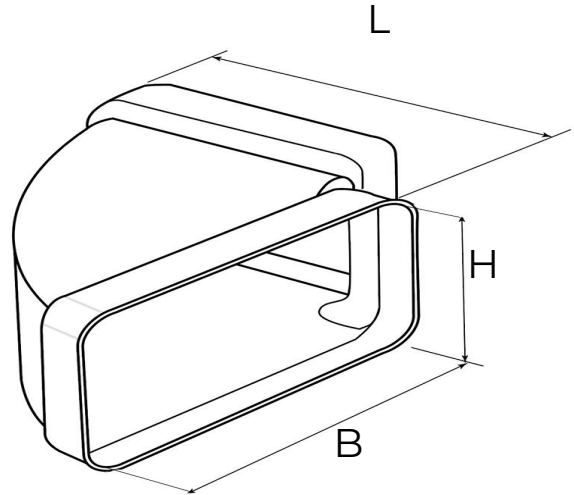


Steel effect duct system



Item	Colour	BxH mm	L mm
CCO126AC	steel	120x60	143
CCO157AC	steel	150x70	178

Description: 90° flat vertical corner

Material: ABS plastic

Features: The horizontal corner for rectangular pipes limits the pressure drop and dispersion of the air passage inside the ducting to a minimum. It is part of the ducted ventilation system which allows rapid evacuation of vapors (max 80°C) and unpleasant odors from environments such as kitchens or bathrooms and a healthy air exchange.

