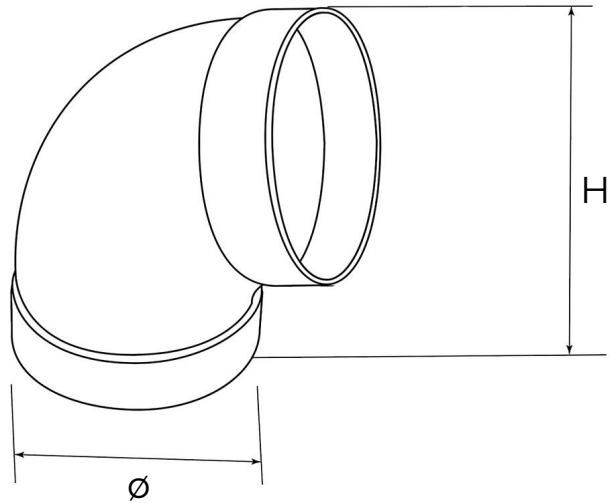


## Steel effect duct system



Item	Colour	Curve degrees	Section $\varnothing$ mm	H mm
<b>CCR100AC</b>	steel	90°	100	123
<b>CCR125AC</b>	steel	90°	125	154

**Description:** 90° round bend FF

**Material:** ABS plastic

**Features:** Bend with FF inlets useful for directing the ducting in case of necessity. It is part of the ducted ventilation system which allows rapid evacuation of vapors (max 80°C) and unpleasant odors from environments such as the kitchen or bathrooms and a healthy exchange of air.

