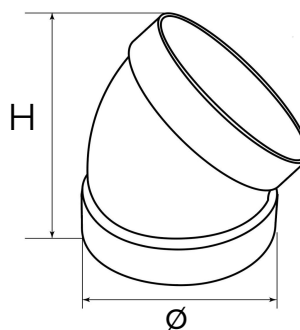


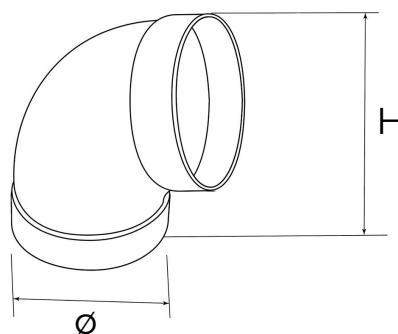
RANGE 100 fire retardant duct system



CCRNF10045B



CCRNF100B



| Item | Colour | Curve degrees | Section \varnothing mm | H mm |
|--------------------|--------|---------------|--------------------------|------|
| CCRNF10045B | white | 45° | 100 | 109 |
| CCRNF100B | white | 90° | 100 | 123 |

Description: Bend for NO-FIRE duct system

Material: Self-extinguishing ABS plastic

Features: Bend with FF inlets useful for directing the ducting in case of necessity. They are part of the RANGE 100 fire retardant duct system. The product is self-extinguishing and has been certified "Fire resistance class 1", according to the UNI 9177:2008 regulation. The NO-FIRE line can be used in works for which the safety requirement in the event of fire is prescribed (schools, hospitals, public buildings and hotels) as indicated by the Italian Ministerial Decree 10-03-2005 on fire reaction classes for construction products.

