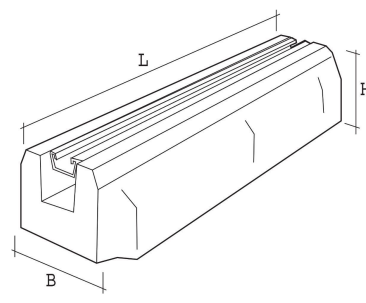


Outdoor unit anti-vibration floor plastic mounting blocks



Item	Colour	Dimensions L x B x H mm	Load capacity kg for couple
EPGO250	black	250x90x160	300
EPGO450	black	450x90x160	550
EPGO600	black	600x90x160	700
EPGO1000	black	1000x90x160	1000
EPGOS400	black	400x130x60	400
EPGOS500	black	500x130x60	500

Description: Floor stand ECOBLOCK

Material: Vulcanized SBR compound

Features: ECOBLOCK is a floor support for outdoor units in vulcanized SBR compound that guarantees the best vibration absorption. ECOBLOCK is complete with nuts and bolts for fixing, and level for correct positioning.

