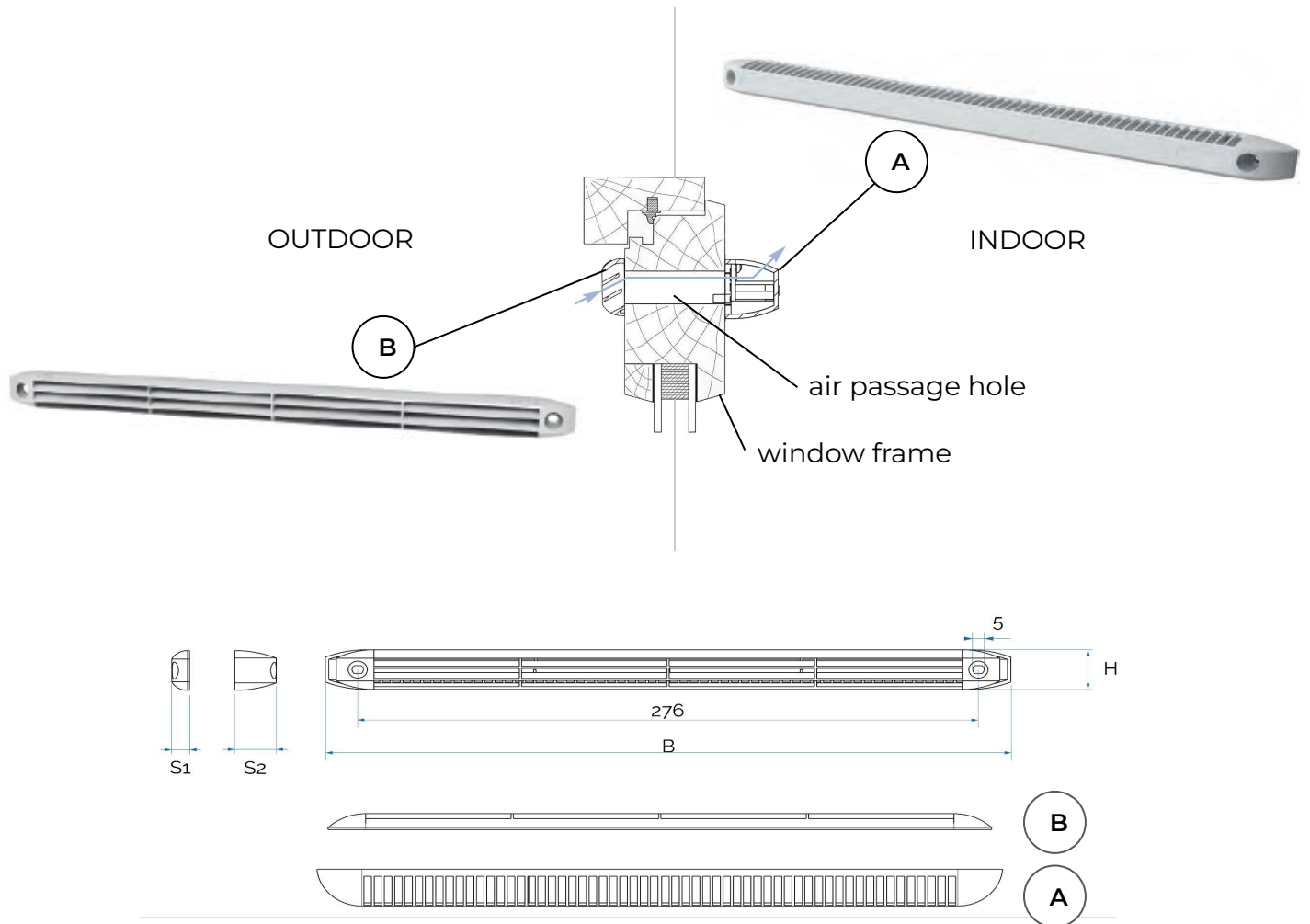


## Ventilation grilles for windows



Item	BxH mm	S1 mm	S2 mm	Air flow m <sup>3</sup> /h	Air passage hole mm
<b>F8N305B</b>	305x20	8	18,5	15 - 22 - 30	250x15

**Description:** Surface-mounting ventilation grilles for windows

**Material:** PS Polystyrene

**Colour:** White

**Features:** Surface-mounting ventilation grilles for windows with self-adjusting thin sheet that keeps the incoming air flow constant. They guarantee the correct exchange of air to avoid the possible formation of mold and condensation.

The air inlet flow rate can be set to 15, 22 or 30 m<sup>3</sup>/h by removing the relative plates on the back of the grill (A).