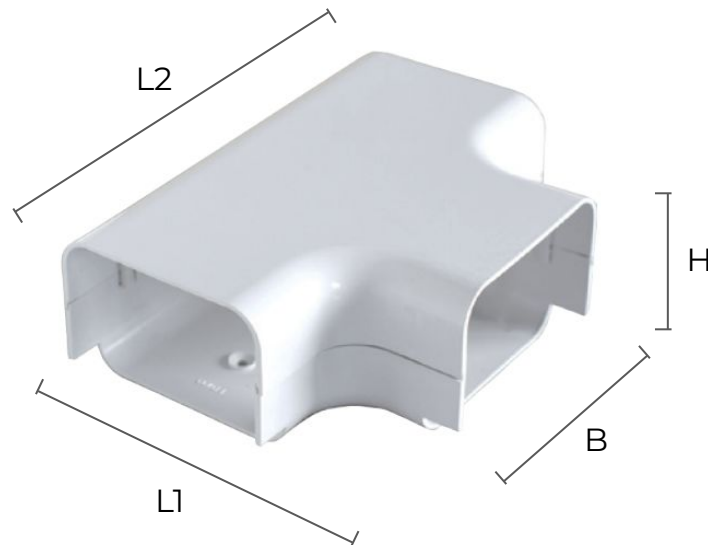


Tee joint for split connection system PROFIL TOP FREDDO



Item	Colour	BxH mm	L1 mm	L2 mm
FD70B	white	70x65	117	158
FD100B	white	98x73	159	224

Description: Tee joint for Profil Top Freddo system

Material: PVC

Features: Tee joint complete with 2 fixing screws (T545).

Profil Top Freddo is an aesthetic and practical split connection system made of shockproof, self-extinguishing and UV-resistant PVC. It allows the installation of air conditioning systems.

