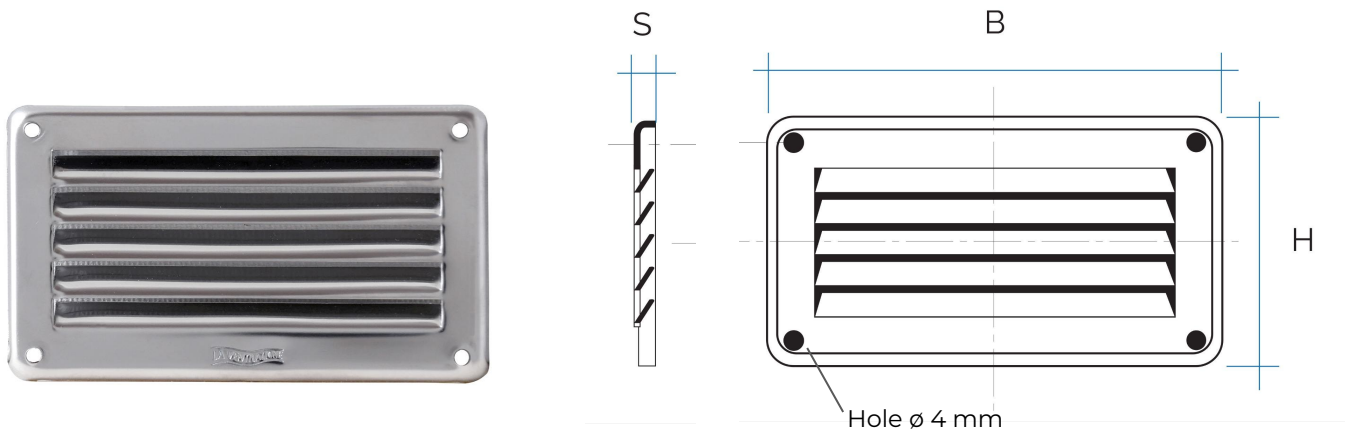




Surface-mounted metal grilles to screw



 = Compatible with saline environments

Item	Colour	BxH mm	S mm	Pass Air cm ²
GL106B	white	100x60	5	20
GL106M	brown	100x60	5	20
GL106G	grey	100x60	5	20
GL106N	black	100x60	5	20
GIN106	inox 430	100x60	5	20
GRA106	copper	100x60	5	20
 GAL106	silver alu.	100x60	5	20

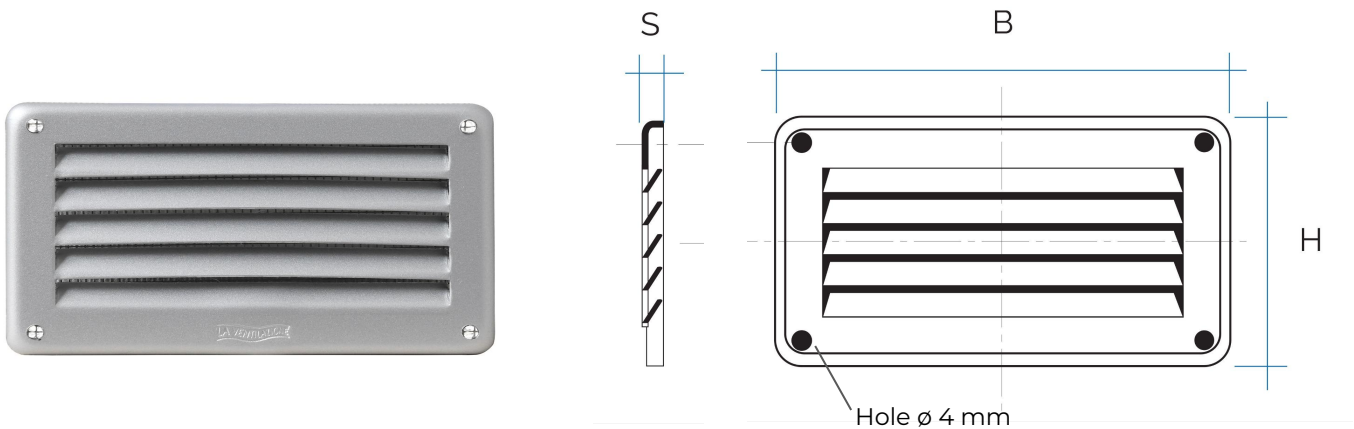
Description: Surface-mounted rectangular ventilation grille


Material: Metal

Features: Rectangular metal ventilation grille, to be surface mounted with screws and plugs. Distance between holes 90x50 mm. It can be installed both indoors and outdoors.



Surface-mounted metal grilles to screw



 = Compatible with saline environments

Item	Colour	BxH mm	S mm	Pass Air cm ²	Insect screen
GL106RB	white	100x60	5	20	✓
GL106RM	brown	100x60	5	20	✓
GL106RG	grey	100x60	5	20	✓
GL106RN	black	100x60	5	20	✓
GIN106R	inox 430	100x60	5	20	✓
GRA106R	copper	100x60	5	20	✓
 GAL106R	silver alu.	100x60	5	20	✓

Description: Surface-mounted rectangular ventilation grille

Material: Metal

Features: Rectangular metal ventilation grille, to be surface mounted with screws and plugs, including insect screen. Distance between holes 90x50 mm. It can be installed both indoors and outdoors.

