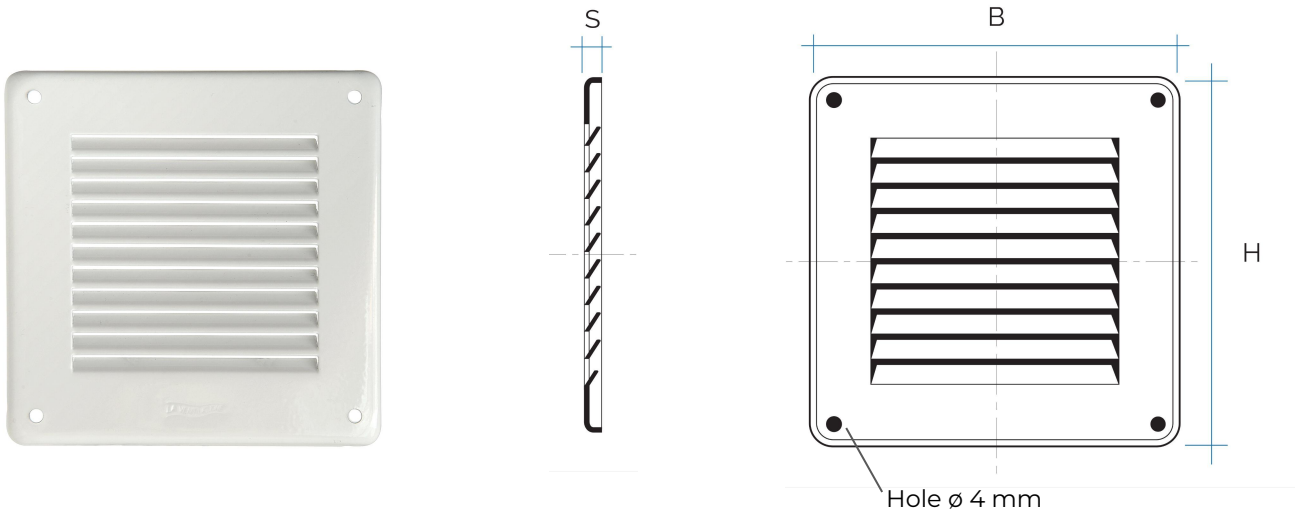





Surface-mounted metal grilles to screw



 = Compatible with saline environments

Item	Colour	BxH mm	S mm	Pass Air cm ²
GL10B	white	140x140	5	40
GL10M	brown	140x140	5	40
GL10G	grey	140x140	5	40
GL10N	black	140x140	5	40
GIN10	inox 430	140x140	5	40
GRA10	copper	140x140	5	40
 GAL10	silver alu.	140x140	5	40
 GZK10	aluzink	140x140	5	40

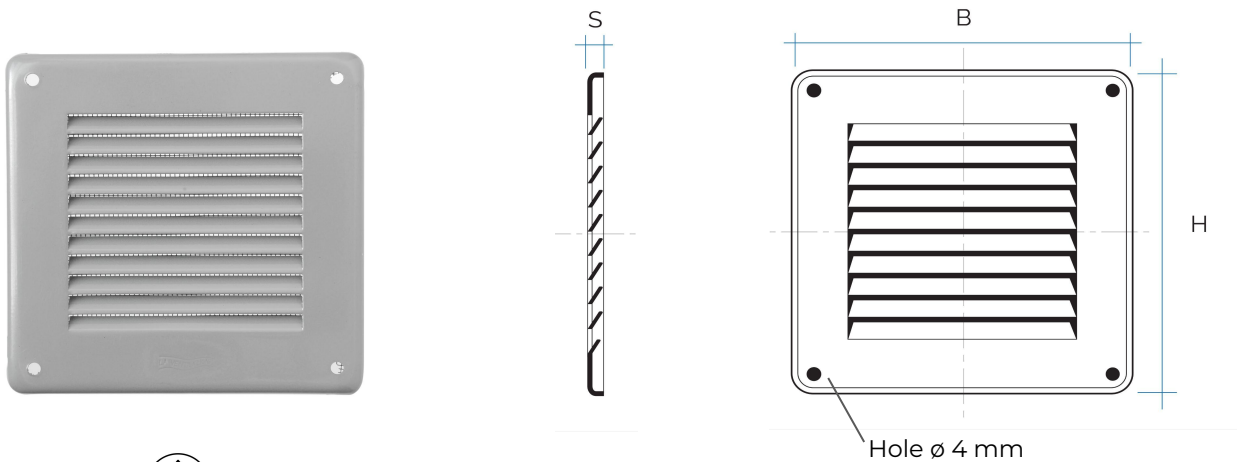
Description: Surface-mounted square ventilation grille


Material: Metal




Features: Square metal ventilation grille, to be surface mounted with screws and plugs. Distance between holes 115x115 mm. It can be installed both indoors and outdoors.



Surface-mounted metal grilles to screw



 = Compatible with saline environments

Item	Colour	BxH mm	S mm	Pass Air cm ²	Insect screen
GL10RB	white	140x140	5	40	✓
GL10RM	brown	140x140	5	40	✓
GL10RG	grey	140x140	5	40	✓
GL10RN	black	140x140	5	40	✓
GIN10R	inox 430	140x140	5	40	✓
GRA10R	copper	140x140	5	40	✓
 GAL10R	silver alu.	140x140	5	40	✓
 GZK10R	aluzink	140x140	5	40	✓
 GAL10RB	white alu.	140x140	5	40	✓

Description: Surface-mounted square ventilation grille

Material: Metal

Features: Square metal ventilation grille, to be surface mounted with screws and plugs, including insect screen. Distance between holes 115x115 mm. It can be installed both indoors and outdoors.

