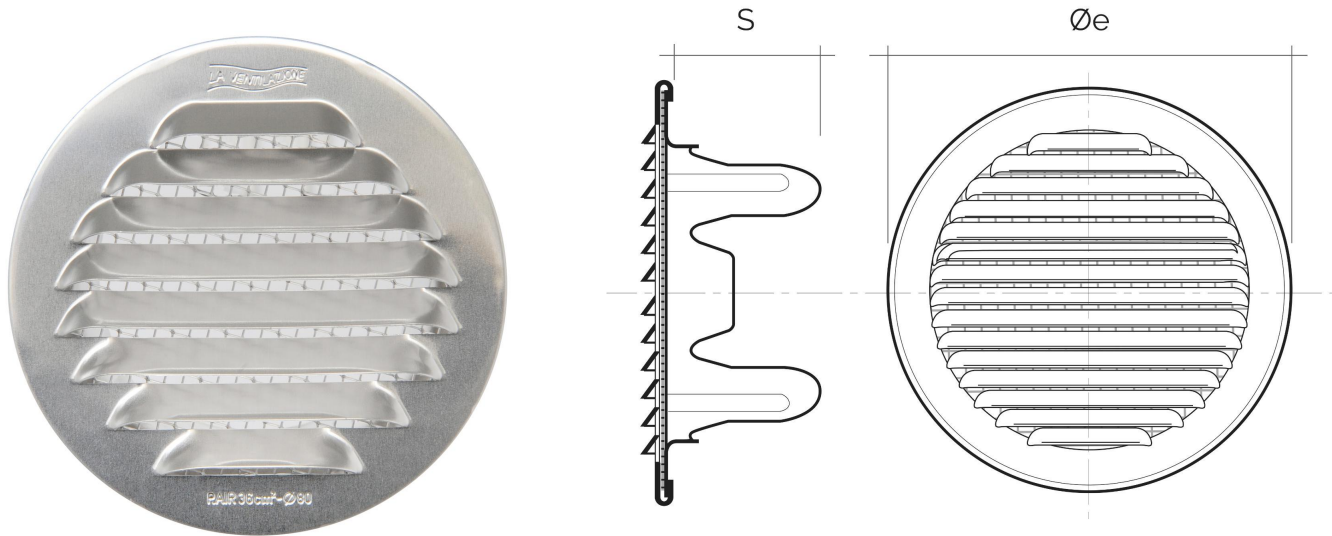


Round metal grilles with S-series adapter for recessed mounting



Item	Colour	Ø e mm	S mm	Ø spigot mm	Pass Air cm ²	Insect screen
GTSA80R	aluminium	100	50	77	28	✓
GTSR80R	copper	100	50	77	28	✓

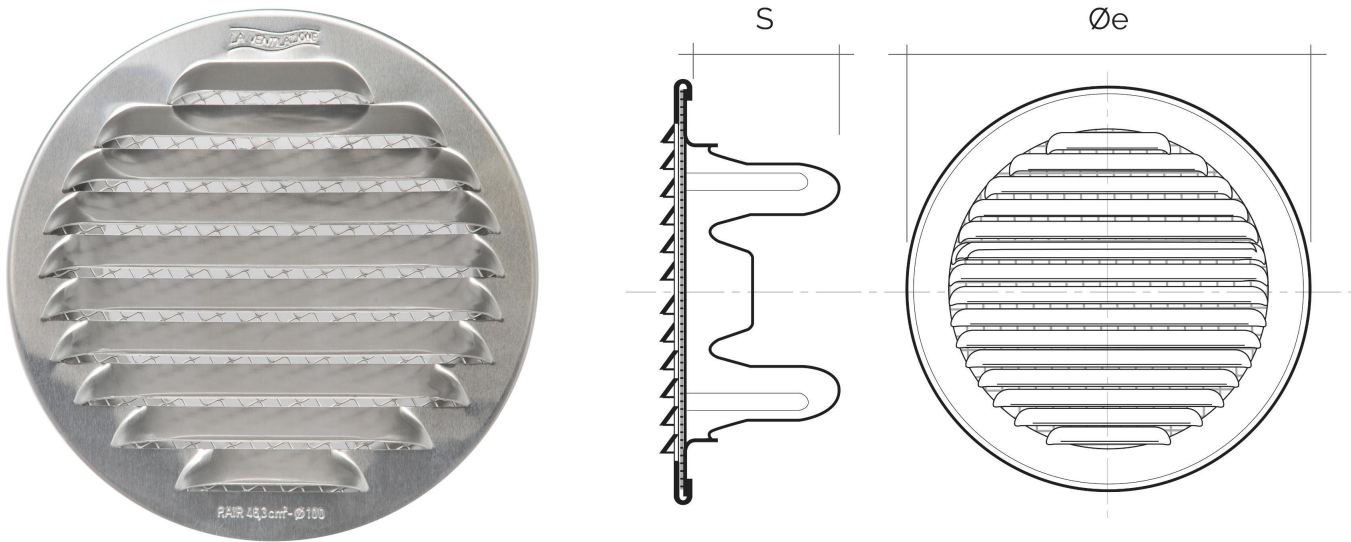
Description: Recessed mounting round ventilation grille


Material: Metal


Features: Recessed mounting round metal ventilation grille, including insect screen. Suitable for holes Ø 80 mm. It can be installed both indoors and outdoors.



Round metal grilles with S-series adapter for recessed mounting



 = Compatible with saline environments

Item	Colour	Ø e mm	S mm	Ø spigot mm	Pass Air cm ²	Insect screen
GTSA100R	aluminium	125	50	97	46	✓
GTSR100R	copper	125	50	97	46	✓
 GTSI100R	inox 304	125	50	97	46	✓

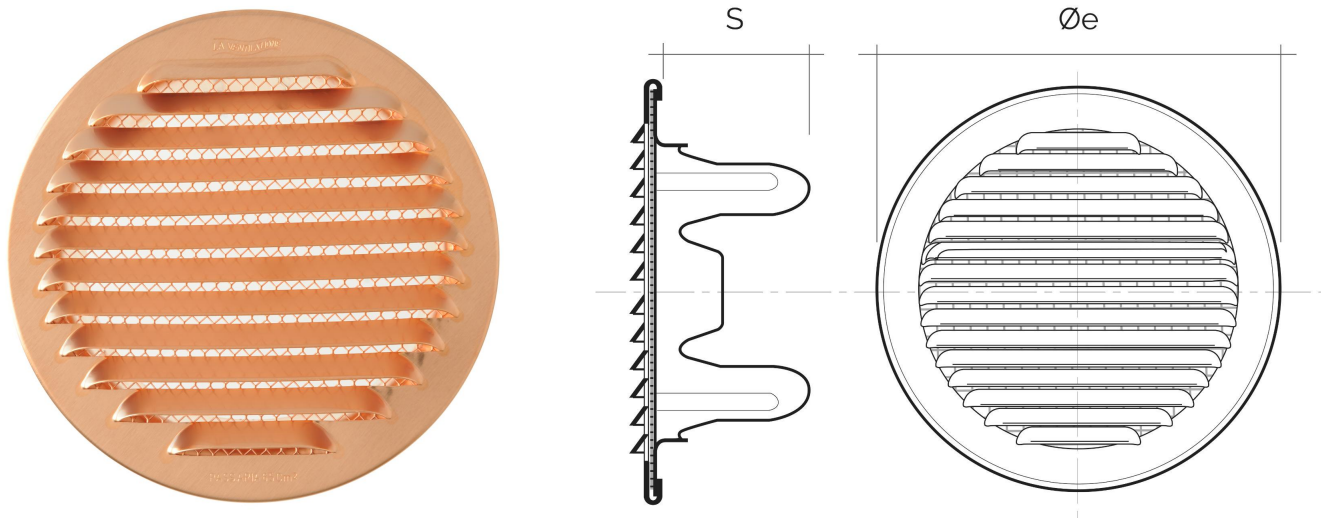
Description: Recessed mounting round ventilation grille


Material: Metal

Features: Recessed mounting round metal ventilation grille, including insect screen. Suitable for holes Ø 100 mm. It can be installed both indoors and outdoors.



Round metal grilles with S-series adapter for recessed mounting



 = Compatible with saline environments

Item	Colour	Ø e mm	S mm	Ø spigot mm	Pass Air cm ²	Insect screen
G TSAI25R	aluminium	150	50	121	65	✓
G TSR125R	copper	150	50	121	65	✓
G TSI125R	inox 304	150	50	121	65	✓



Description: Recessed mounting round ventilation grille

Material: Metal

Features: Recessed mounting round metal ventilation grille, including insect screen. Suitable for holes Ø 120-125 mm. It can be installed both indoors and outdoors.

