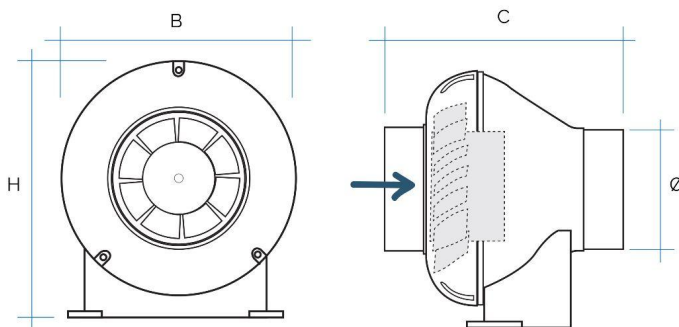


Duct helical extractors



Motor
with ball
bearings



Backdraft
damper



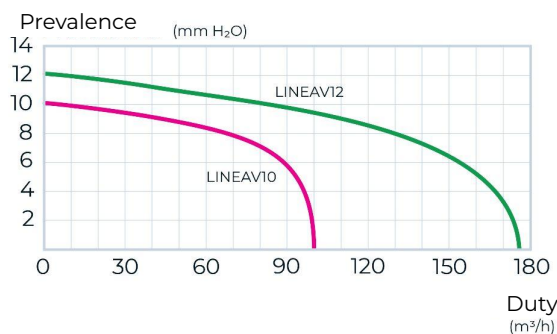
Insulation
class II

IPX4



230 V/
50HZ

Flow rate curve



Item	Colour	BxH mm	Air flow m ³ /h	P. watt	Noise dB	Ø Hole mm	C mm	Ø mm
LINEAV10	white	182x172	100	20	33	100/4"	187	98
LINEAV12	white	190x200	175	36	40	120/5"	202	120

Description: Centrifugal extractor for ducts

Material: ABS plastic

Features: The centrifugal duct extractor can be installed at any point in the ducting and can move low volumes of air at high pressure. These aspirators are used when the air must pass through long vertical and horizontal extraction ducts before reaching the outside.

