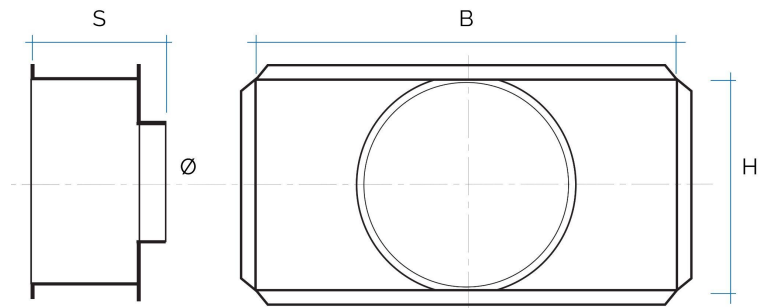
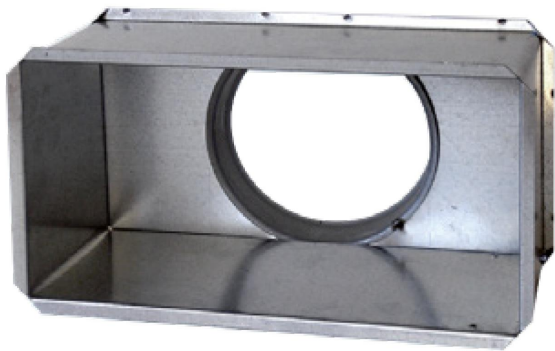


Plenums for air conditioning grilles



Item	Colour	BxH mm	Ø spigot mm	S mm
PL3015150	galvanized	300x150	150	200
PL3020200	galvanized	300x200	200	200
PL4015150	galvanized	400x150	150	200
PL4020200	galvanized	400x200	200	200
PL5015150	galvanized	500x150	150	200
PL5020200	galvanized	500x200	200	200

Description: Plenum for air supply grilles

Material: Metal

Features: Plenum for air supply grilles made of galvanized sheet metal, essential for connecting the grille to the existing duct.

