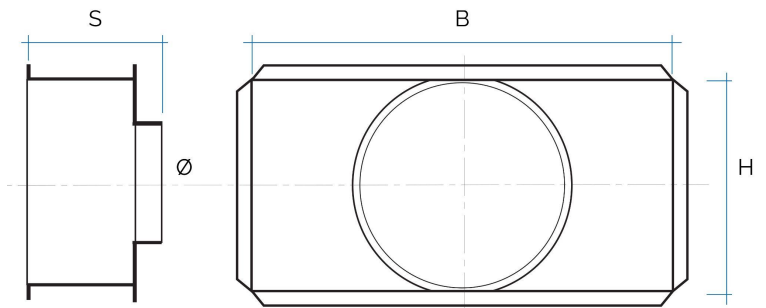


## Insulated plenums for air conditioning grilles



Item	Colour	BxH mm	Ø spigot mm	S mm
<b>PLI3015150</b>	galvanized	300x150	150	200
<b>PLI3020200</b>	galvanized	300x200	200	200
<b>PLI4015150</b>	galvanized	400x150	150	200
<b>PLI4020200</b>	galvanized	400x200	200	200
<b>PLI5015150</b>	galvanized	500x150	150	200
<b>PLI5020200</b>	galvanized	500x200	200	200

**Description:** Insulated plenum for air supply grilles

**Material:** Metal

**Features:** Insulated plenum for air supply grilles made of galvanized sheet metal, essential for connecting the grille to the existing duct.

