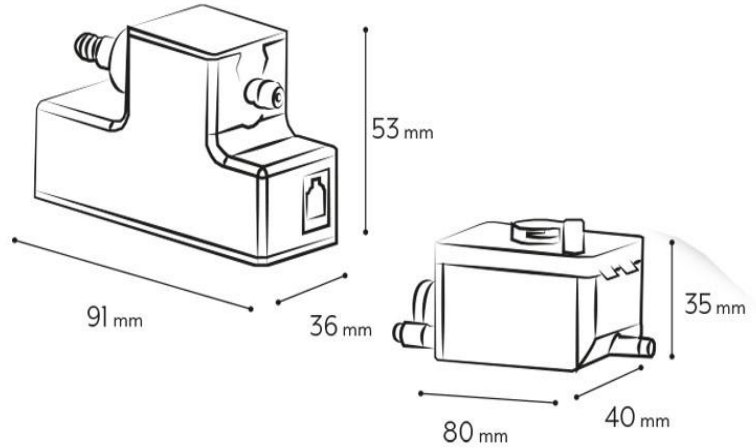


## Condensate lift pumps



Item	Colour	Noise	Protection rating	Flow rate
<b>PSC8</b>	grey	21 dBA	IP20	8 l/h
<b>PSC15</b>	grey	21 dBA	IP20	15 l/h

**Description:** Condensate lift pump

**Features:** The condensate drain pump is ideal for air conditioners with limited internal space. Its dimensions, ease of installation and low noise level allow it to be installed in any environment.

- Required power supply 230v - 50/60Hz
- Max exit height 20 m
- Max suction height 2 m
- $\varnothing$  pipe exit 6 mm

