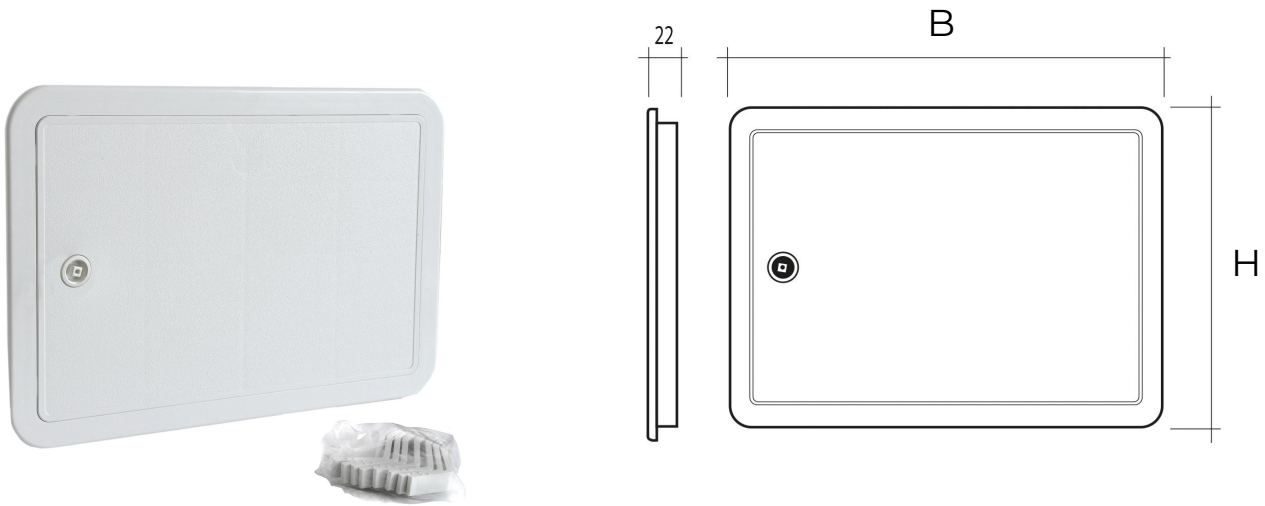


ABS inspection doors



Item	Colour	BxH mm	Hole mm
SI3020B	white	315x215	300x200
SI3020G	grey	315x215	300x200

Description: Inspection door

Material: ABS plastic

Features: ABS inspection doors complete with n. 8 clamps for fixing and n. 1 opening key. The door is reversible with the possibility of opening both to the left and to the right. Compatible with universal meter keys..

