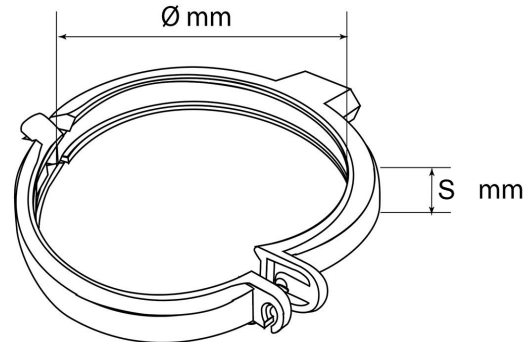


## Steel effect duct system



Item	Colour	Section $\varnothing$ mm	S mm	Screws and plugs
<b>STV2100AC</b>	steel	100	23	✓
<b>STV2125AC</b>	steel	125	21.5	✓

**Description:** Round pipe holder brackets with screws and plugs

**Material:** ABS plastic

**Features:** The pipe holder brackets are complete with 5x45 cm screws and plugs for fixing. They are part of the ducted ventilation system which allows rapid evacuation of vapors (max 80°C) and unpleasant odors from environments such as the kitchen or bathrooms and a healthy exchange of air.

