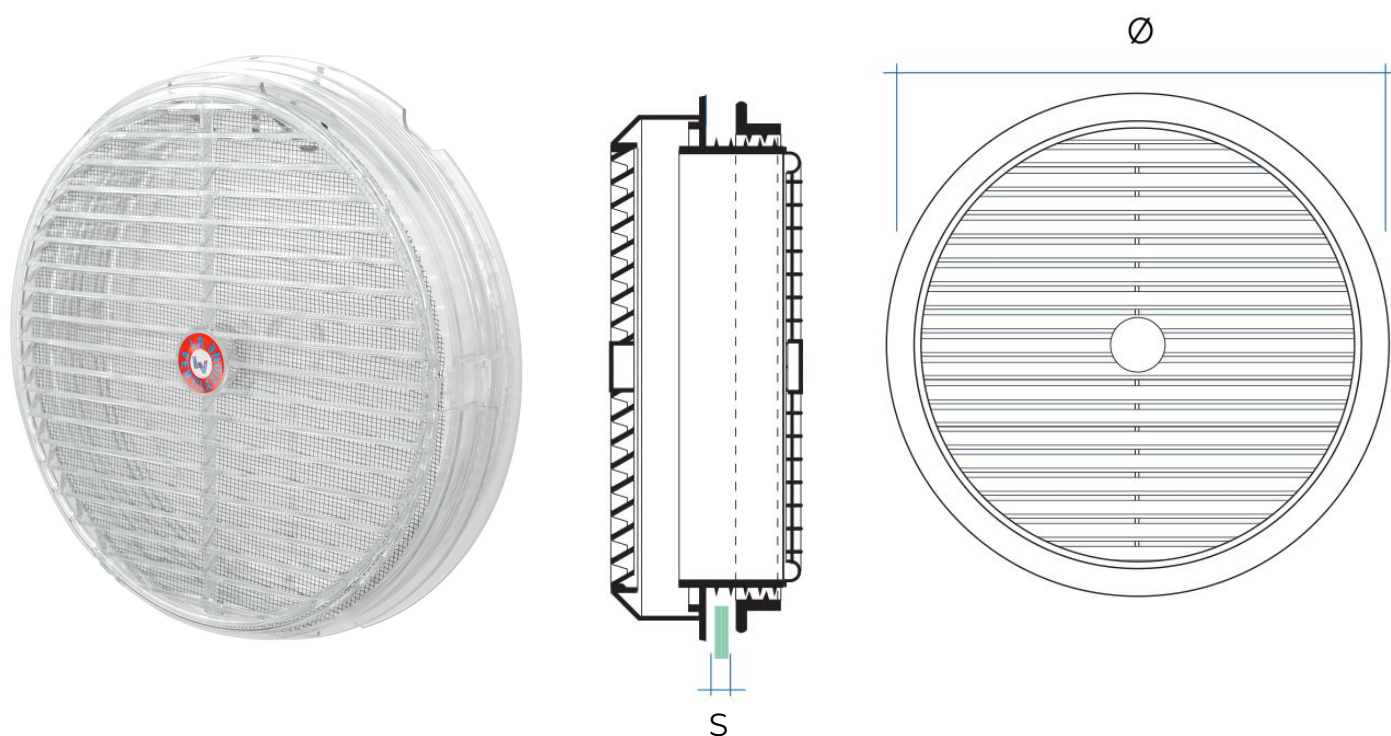


Transparent double grilles for single glazed windows



Item	Ø mm external	S glass max mm	Ø Hole glass mm	Insect screen	Pass Air cm ²
TV200	220	22	200		200
TVR200	220	22	200	✓	200

Description: Double round transparent methacrylate grilles for glass

Material: Methacrylate

Colour: Transparent

Features: Double grille ø 220 mm in transparent methacrylate for glass. The hole to be made on the glass must be ø 200 mm. The fixing to the glass takes place with the external threaded ring.

