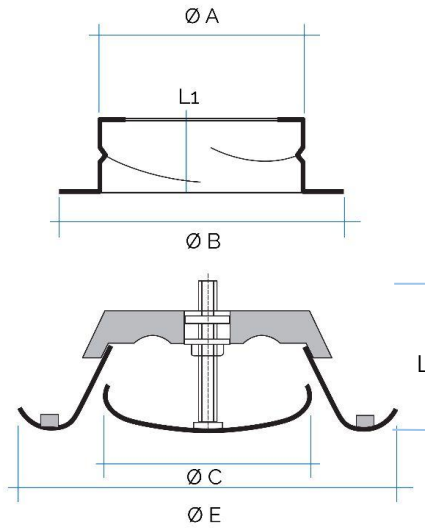


## Steel adjustable valves



Dn	Ø A	Ø B	Ø C	Ø E
80	79	118	62	115
100	99	125	75	140
125	124	150	100	170
150	149	175	120	205
160	159	185	130	215
200	199	225	160	255

Suction valve with gasket

Item	Colour	Ø spigot mm	Air flow m <sup>3</sup> /h (min-max)	L mm	L1 mm
<b>VLAM080B</b>	white	80	20-30	55	50
<b>VLAM100B</b>	white	100	30-60	55	50
<b>VLAM125B</b>	white	125	40-90	65	60
<b>VLAM150B</b>	white	150	50-120	65	60
<b>VLAM160B</b>	white	160	60-130	65	60
<b>VLAM200B</b>	white	200	80-190	65	60

**Description:** Air suction valve with gasket

**Material:** Steel

**Features:** Air return steel valve painted in White RAL9010, including fixing collar. It is possible to adjust the air flow by unscrewing or screwing the central part from the main body, decreasing or increasing the air passage.

