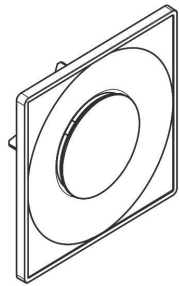


Elegance Line - Supply and return metal valves

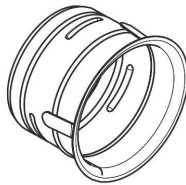


Ventilation valve

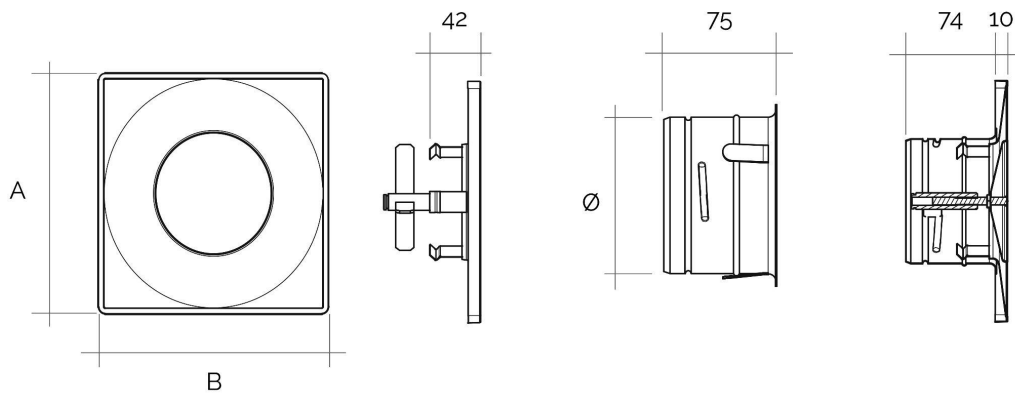
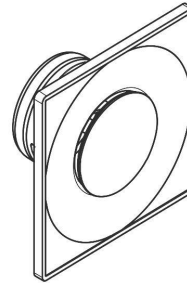
Frame



+



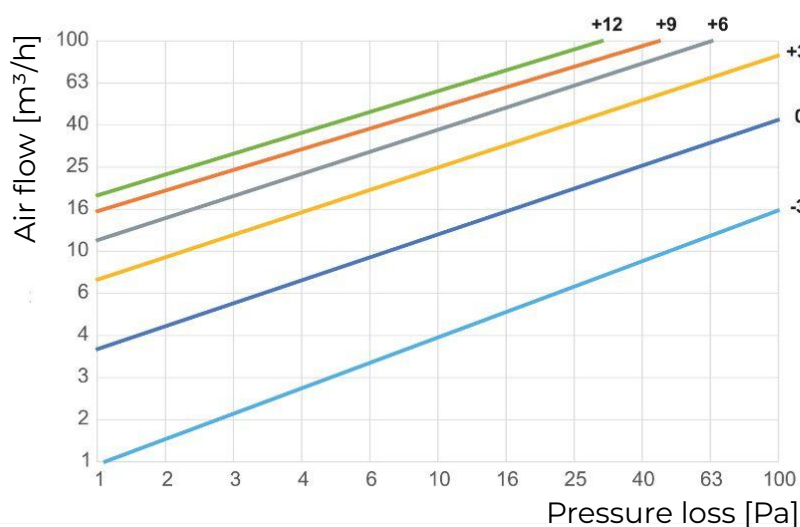
=



Item	Colour	A mm	Spigot ø mm
VLQE100B	white	190	100
VLQE100N	black	190	100

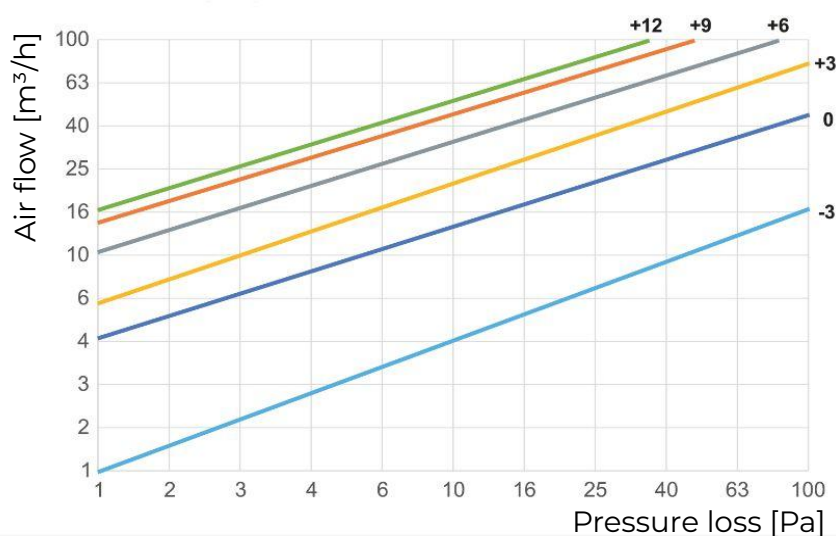
FLOW DETAILS:

VLQE100: Air supply



FLOW DETAILS:

VLQE100: Air return



Description: Square adjustable air supply and return valve

Material: Metal

Features: Square adjustable air supply and return valve, made of powder-coated steel. It is used to extract or introduce air into a ventilation duct on the wall or ceiling.

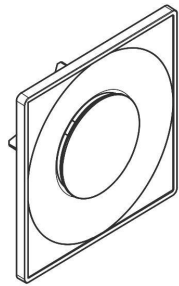


Elegance Line - Supply and return metal valves

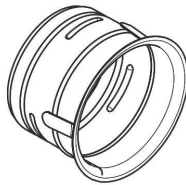


Ventilation valve

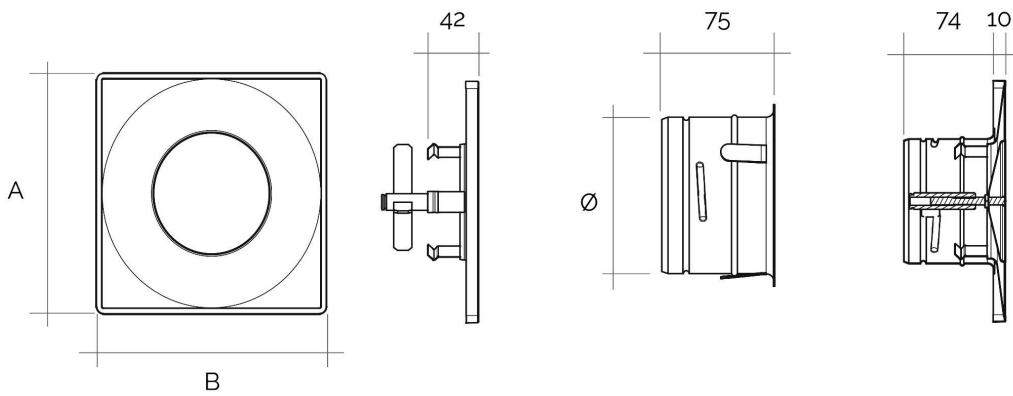
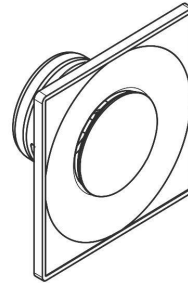
Frame



+



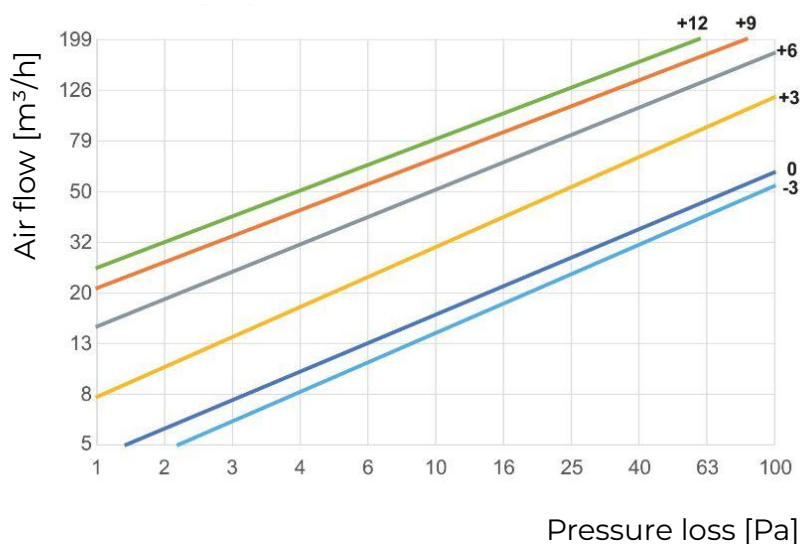
=



Item	Colour	A mm	Spigot ø mm
VLQE125B	white	215	125
VLQE125N	black	215	125

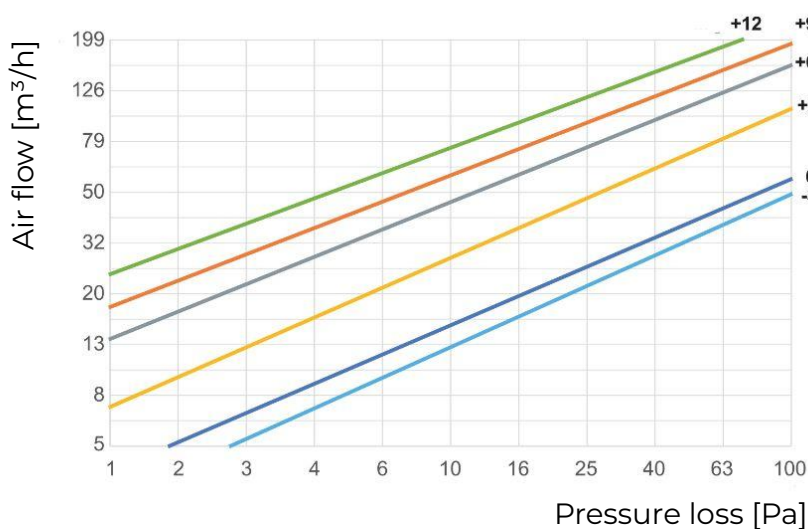
FLOW DETAILS:

VLQE125: Air supply



FLOW DETAILS:

VLQE125: Air return



Description: Square adjustable air supply and return valve

Material: Metal

Features: Square adjustable air supply and return valve, made of powder-coated steel. It is used to extract or introduce air into a ventilation duct on the wall or ceiling.

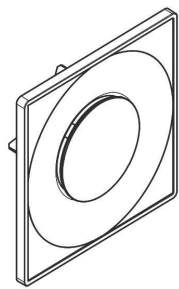


Elegance Line - Supply and return metal valves



Ventilation valve

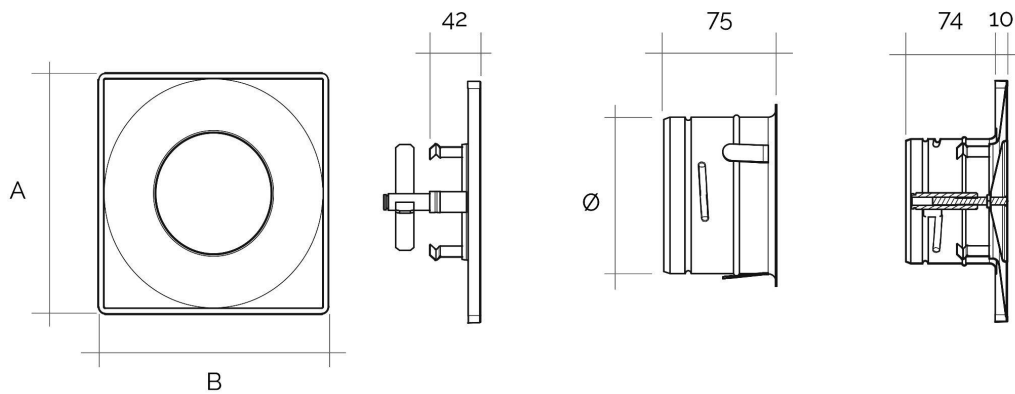
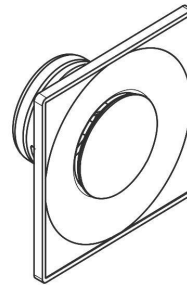
Frame



+



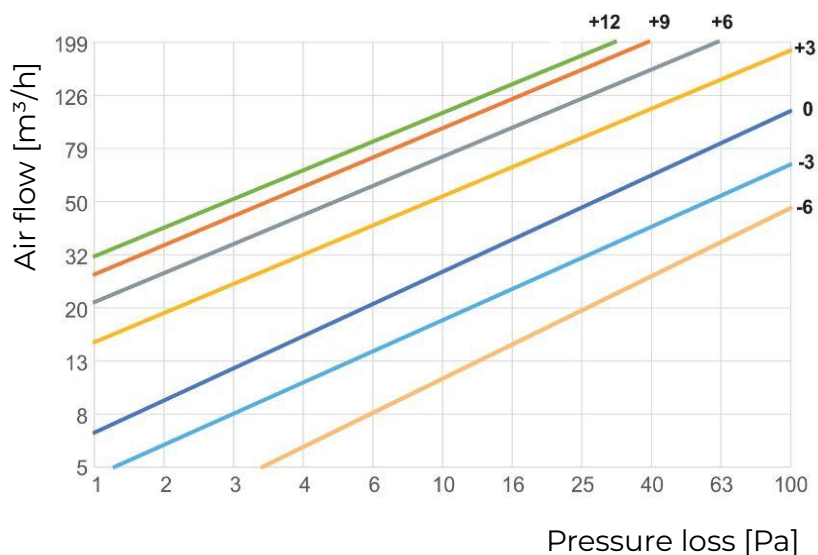
=



Item	Colour	A mm	Imb. ø mm
VLQE150B	white	240	150
VLQE150N	black	240	150

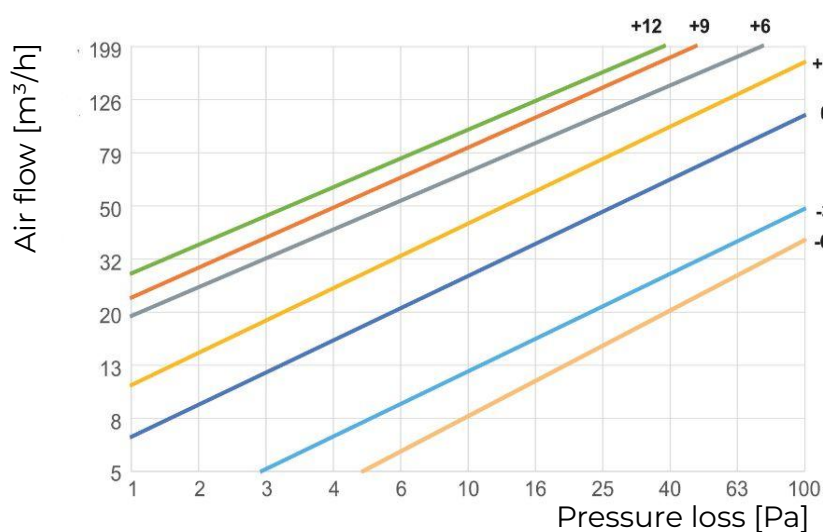
FLOW DETAILS:

VLQE150: Air supply



FLOW DETAILS:

VLQE150: Air return



Description:

Square adjustable air supply and return valve

Material:

Metal

Features:

Square adjustable air supply and return valve, made of powder-coated steel. It is used to extract or introduce air into a ventilation duct on the wall or ceiling.

