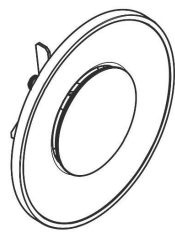


Elegance Line - Supply and return metal valves

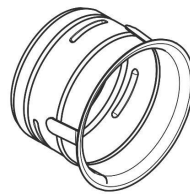


Ventilation valve

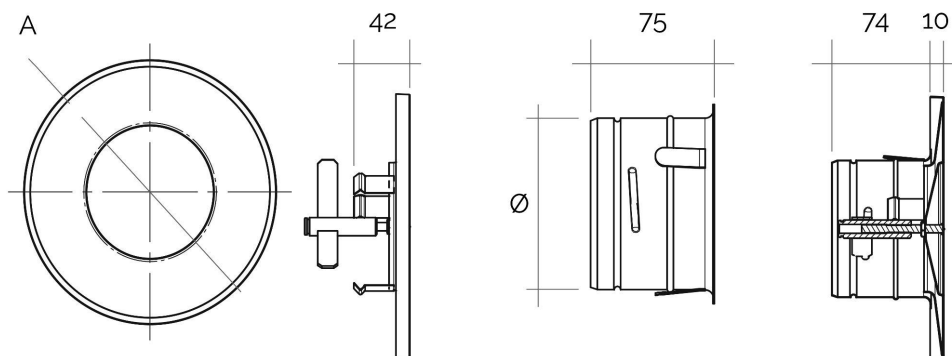
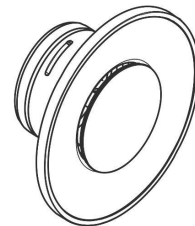
Frame



+



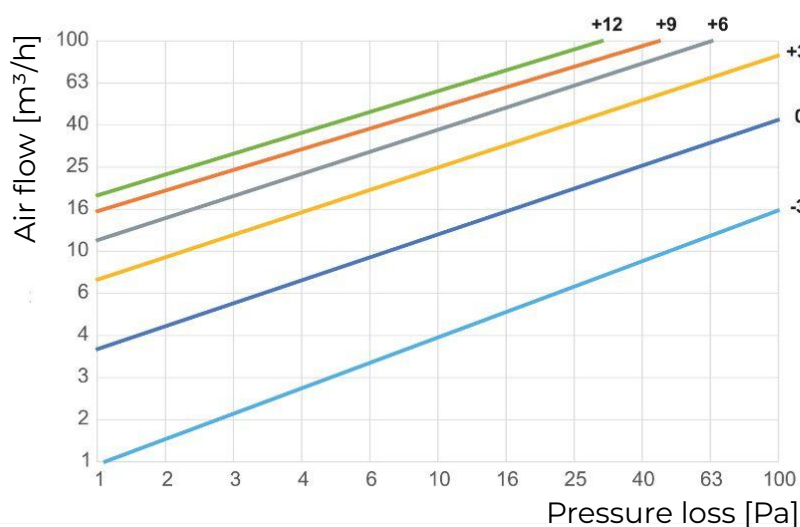
=



Item	Colour	A mm	Spigot ø mm
VLTE100B	white	190	100
VLTE100N	black	190	100

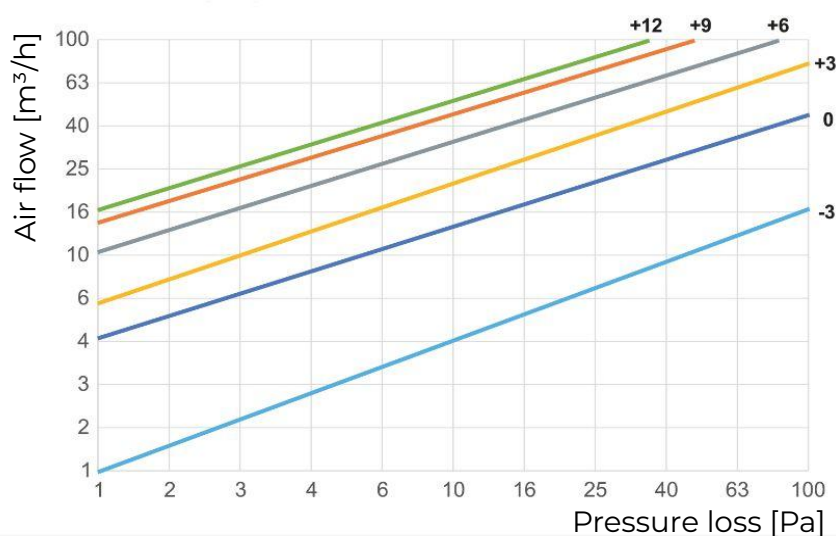
FLOW DETAILS:

VLTE100: Air supply



FLOW DETAILS:

VLTE100: Air return



Description: Round adjustable air supply and return valve

Material: Metal

Features: Round adjustable air supply and return valve, made of powder-coated steel. It is used to extract or introduce air into a ventilation duct on the wall or ceiling.

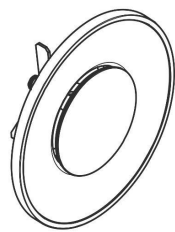


Elegance Line - Supply and return metal valves



Ventilation valve

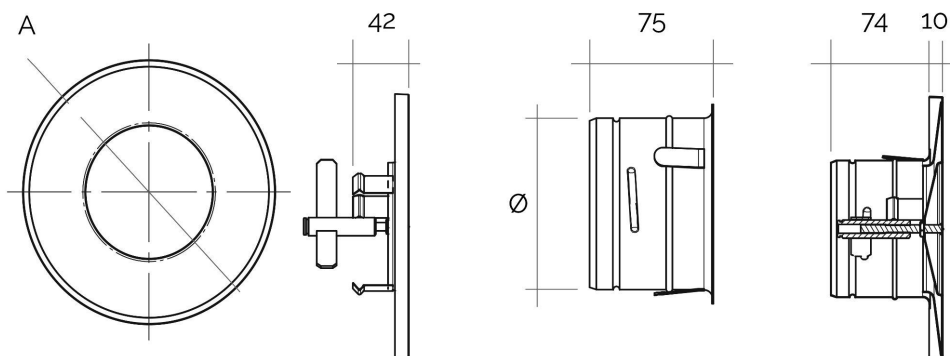
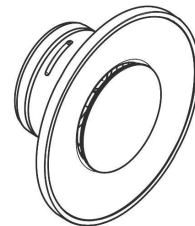
Frame



+



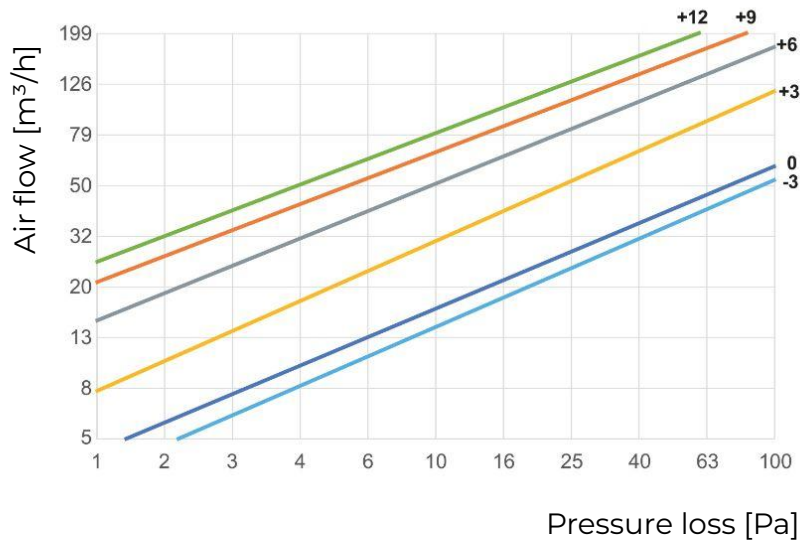
=



Item	Colour	A mm	Spigot ∅ mm
VLTE125B	white	215	125
VLTE125N	black	215	125

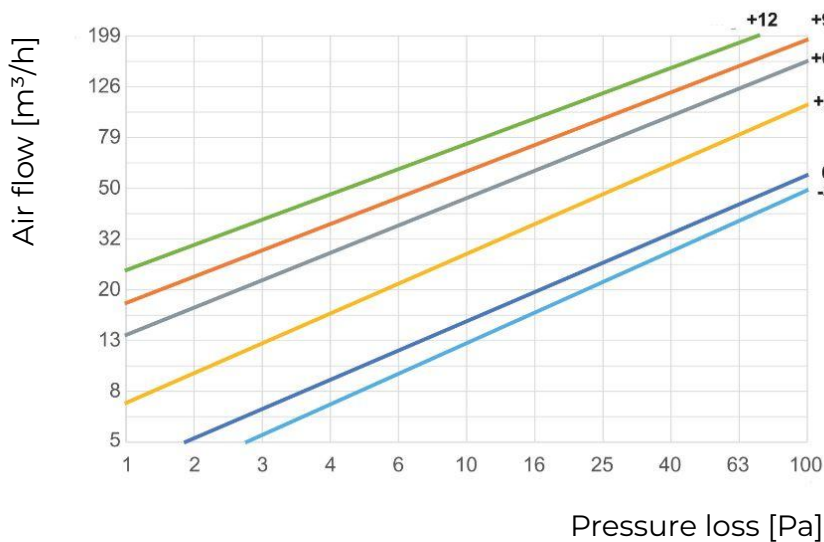
FLOW DETAILS:

VLTE125: Air supply



FLOW DETAILS:

VLTE125: Air return



Description: Round adjustable air supply and return valve

Material: Metal

Features: Round adjustable air supply and return valve, made of powder-coated steel. It is used to extract or introduce air into a ventilation duct on the wall or ceiling.

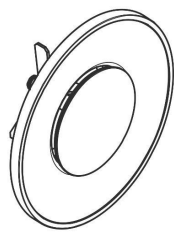


Elegance Line - Supply and return metal valves



Ventilation valve

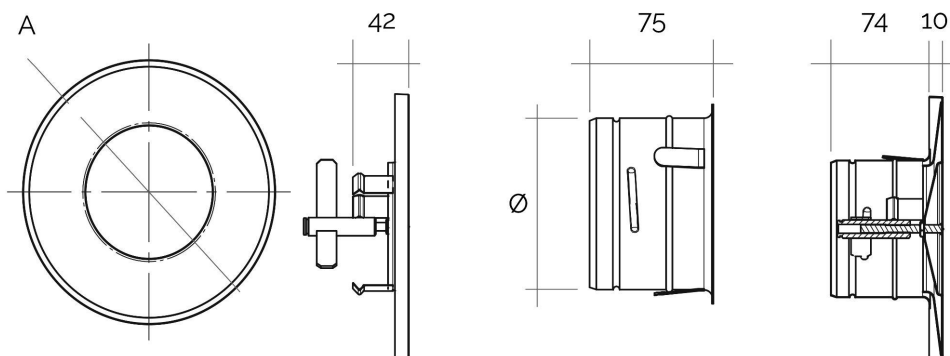
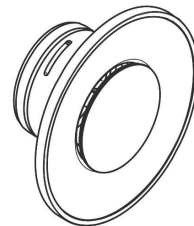
Frame



+



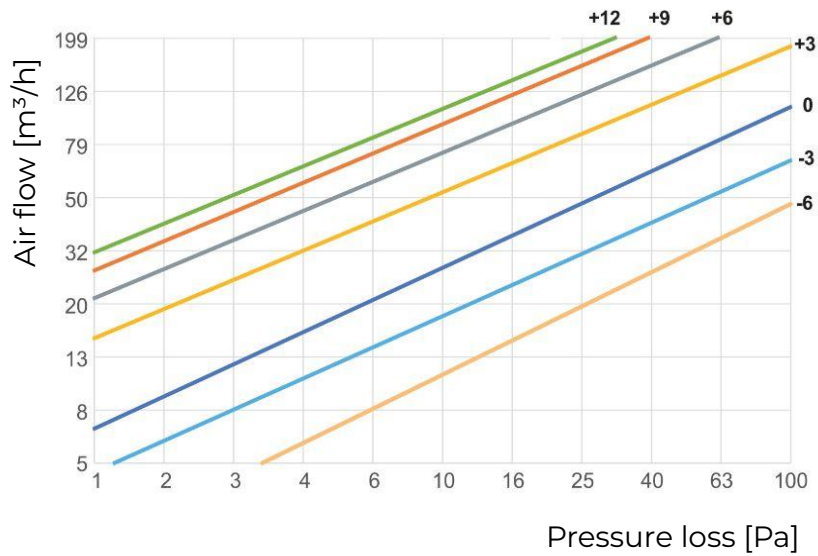
=



Item	Colour	A mm	Imb. \emptyset mm
VLTE150B	white	240	150
VLTE150N	black	240	150

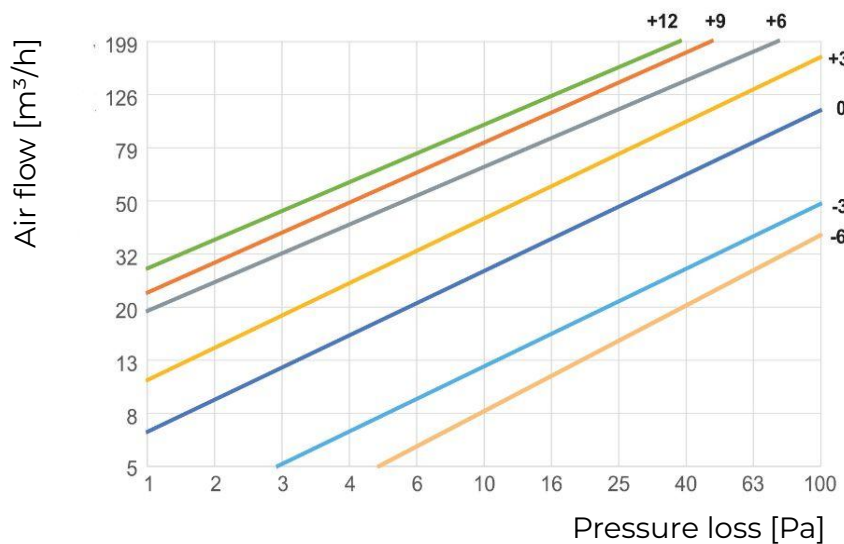
FLOW DETAILS:

VLTE150: Air supply



FLOW DETAILS:

VLTE150: Air return



Description: Round adjustable air supply and return valve

Material: Metal

Features: Round adjustable air supply and return valve, made of powder-coated steel. It is used to extract or introduce air into a ventilation duct on the wall or ceiling.

