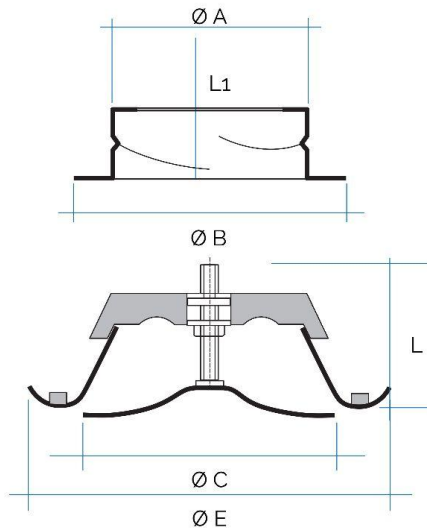


Steel adjustable valves



Dn	Ø A	Ø B	Ø C	Ø E
80	79	118	62	115
100	99	125	75	140
125	124	150	100	170
150	149	175	120	205
160	159	185	130	215
200	199	225	160	255

Supply valve with gasket

Item	Colour	Ø spigot mm	Air flow m ³ /h (min-max)	L mm	L1 mm
VLVM080B	white	80	10-20	55	50
VLVM100B	white	100	20-40	55	50
VLVM125B	white	125	30-70	65	60
VLVM150B	white	150	50-110	65	60
VLVM160B	white	160	50-120	65	60
VLVM200B	white	200	90-210	65	60

Description: Air supply valve with gasket

Material: Steel

Features: Air supply steel valve painted in White RAL9010, including fixing collar. It is possible to adjust the air flow by unscrewing or screwing the central part from the main body, decreasing or increasing the air passage.

