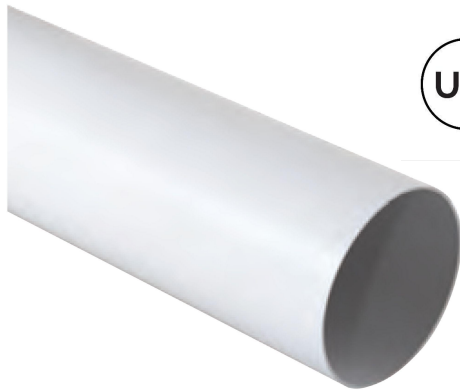
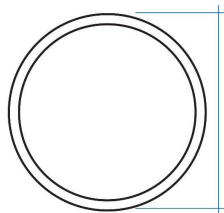


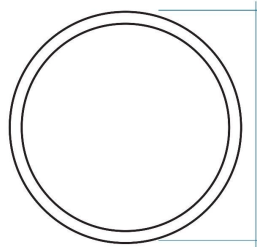
White duct system



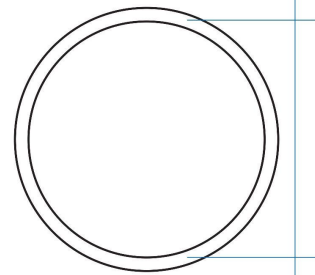
Compliant with UNI EN 7129-3:2015 regulation of "exhalation channels" for cooker hoods.



Ø 100



Ø 125



Ø 150
Internal

Item	Colour	Section ø mm	Length m
CTR1100B	white	100	1
CTR100B	white	100	1,5
CTR1125B	white	125	1
CTR125B	white	125	1,5
CTR1150B	white	150	1
CTR150B	white	150	1,5

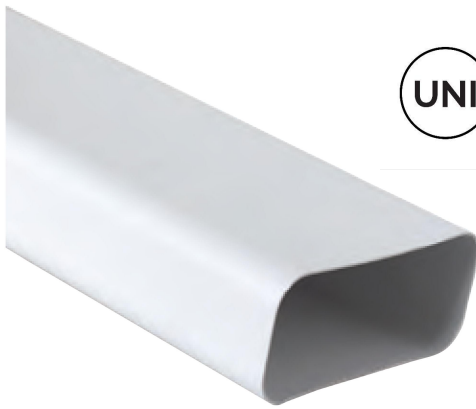
Description: Round pipe for ducted ventilation

Material: PVC plastic

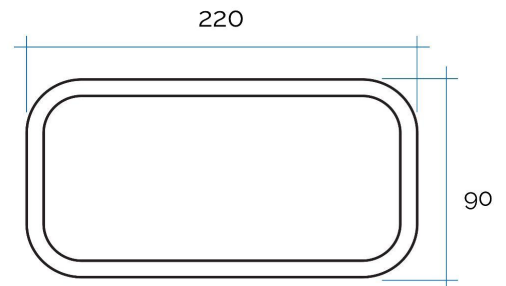
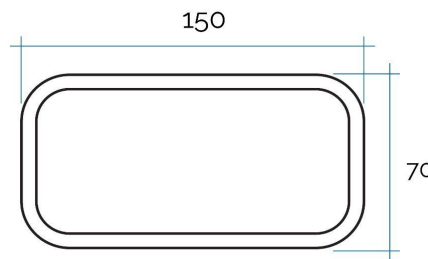
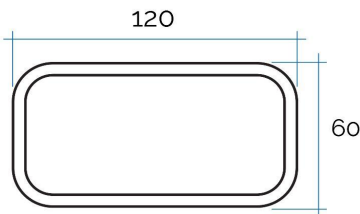
Features: The round tube is part of the ducted ventilation system which allows rapid evacuation of vapors (max 80°C) and unpleasant odors from environments such as kitchens or bathrooms and a healthy exchange of air.



White duct system



Compliant with UNI EN 7129-3:2015 regulation of "exhalation channels" for cooker hoods.



Item	Colour	Section mm	Length m
CT1126B	white	120x60	1
CT126B	white	120x60	1,5
CT1157B	white	150x70	1
CT157B	white	150x70	1,5
CT1229B	white	220x90	1
CT229B	white	220x90	1,5

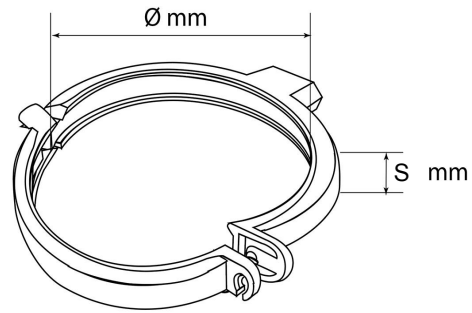
Description: Rectangular pipe for ducted ventilation

Material: PVC plastic

Features: The rectangular tube is part of the ducted ventilation system which allows rapid evacuation of vapors (max 80°C) and unpleasant odors from environments such as kitchens or bathrooms and a healthy exchange of air.



White duct system



Compliant with UNI EN 7129-3:2015 regulation of "exhalation channels" for cooker hoods.

Item	Colour	Section \varnothing mm	S mm	Screws and plugs
STV2100B	white	100	23	✓
STV2125B	white	125	21.5	✓

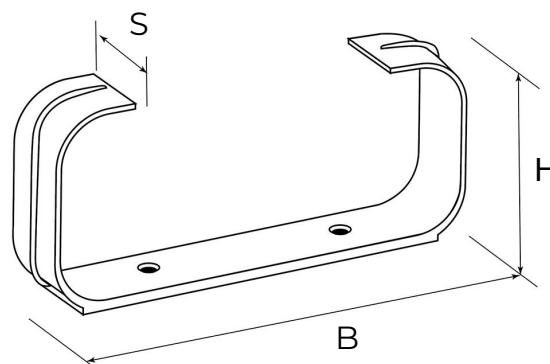
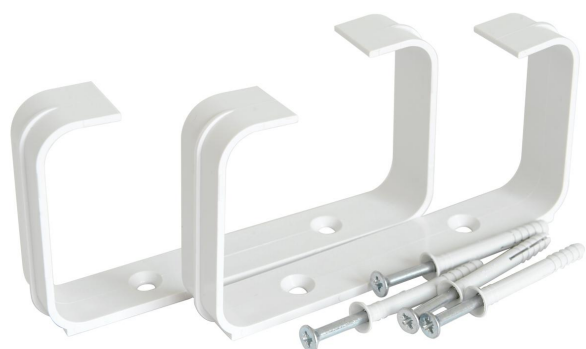
Description: 2 round pipe brackets with screws and plugs

Material: ABS plastic

Features: The pipe holder brackets are complete with 5x45 cm screws and plugs for fixing. They are part of the ducted ventilation system which allows rapid evacuation of vapors (max 80°C) and unpleasant odors from environments such as kitchens or bathrooms and a healthy exchange of air.



White duct system



Compliant with UNI EN 7129-3:2015 regulation of "exhalation channels" for cooker hoods.

Item	Colour	BxH mm	S mm	Screws and plugs
STV2126B	white	120x60	20	✓
STV2157B	white	150x70	22	✓
STV2229B	white	220x90	22	✓

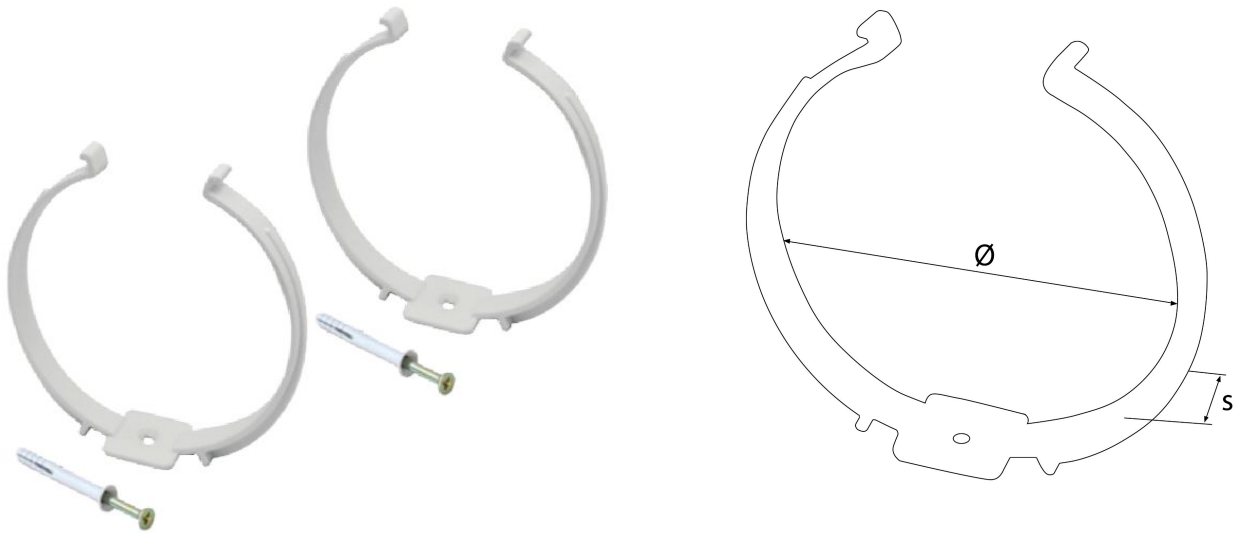
Description: 2 rectangular pipe brackets with screws and plugs

Material: ABS plastic

Features: The rectangular pipe holder brackets are complete with 5x45 cm screws and plugs for fixing. They are part of the ducted ventilation system which allows a rapid evacuation of vapors (max 80°C) and unpleasant odors from environments such as the kitchen or bathrooms and a healthy exchange of air.



White duct system



Compliant with UNI EN 7129-3:2015 regulation of "exhalation channels" for cooker hoods.

Item	Colour	Ø mm	S mm	Screws and plugs
STVC2100B	white	100	12	✓
STVC2125B	white	125	14	✓
STVC2150B	white	154	16	✓

Description: 2 round pipe brackets with screws and plugs

Material: ABS plastic

Features: The round pipe holder brackets are complete with 5x45 cm screws and plugs for fixing. They are part of the ducted ventilation system which allows a rapid evacuation of vapors (max 80°C) and unpleasant odors from environments such as the kitchen or bathrooms and a healthy exchange of air.

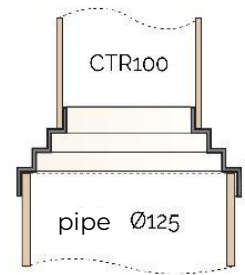
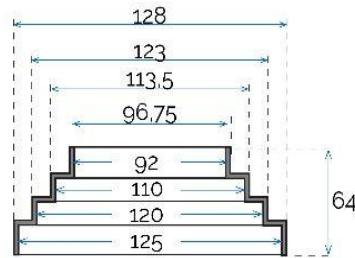


White duct system

CRC96B



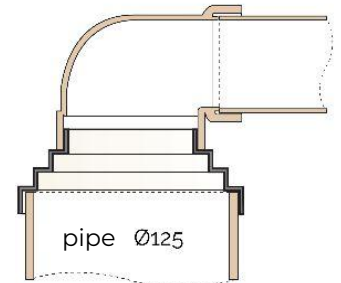
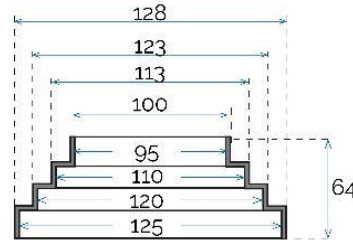
Step reducer $\varnothing M$ 100 mm - $\varnothing F$ 125 mm for pipes without socket



CRC125B



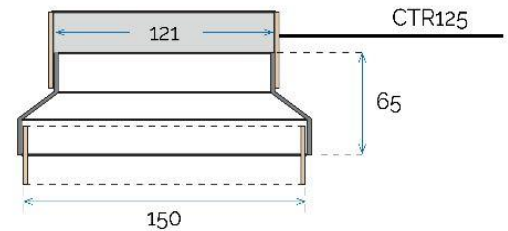
Step reducer $\varnothing M$ 100 mm - $\varnothing F$ 125 mm for duct fittings



CRC150B



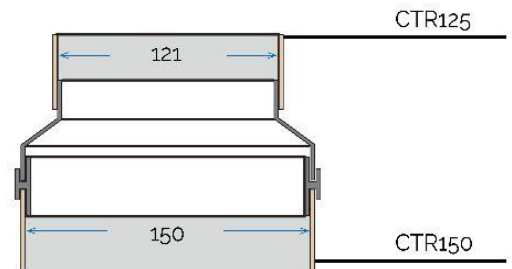
Reducer $\varnothing F$ int. 150 mm for hood connection - $\varnothing M$ ext. 121 mm for duct pipe CTR125



CRGC150B



Reducer $\varnothing F$ int. 150 mm for duct pipe CTR150 - $\varnothing M$ ext. 121 mm for duct pipe CTR125



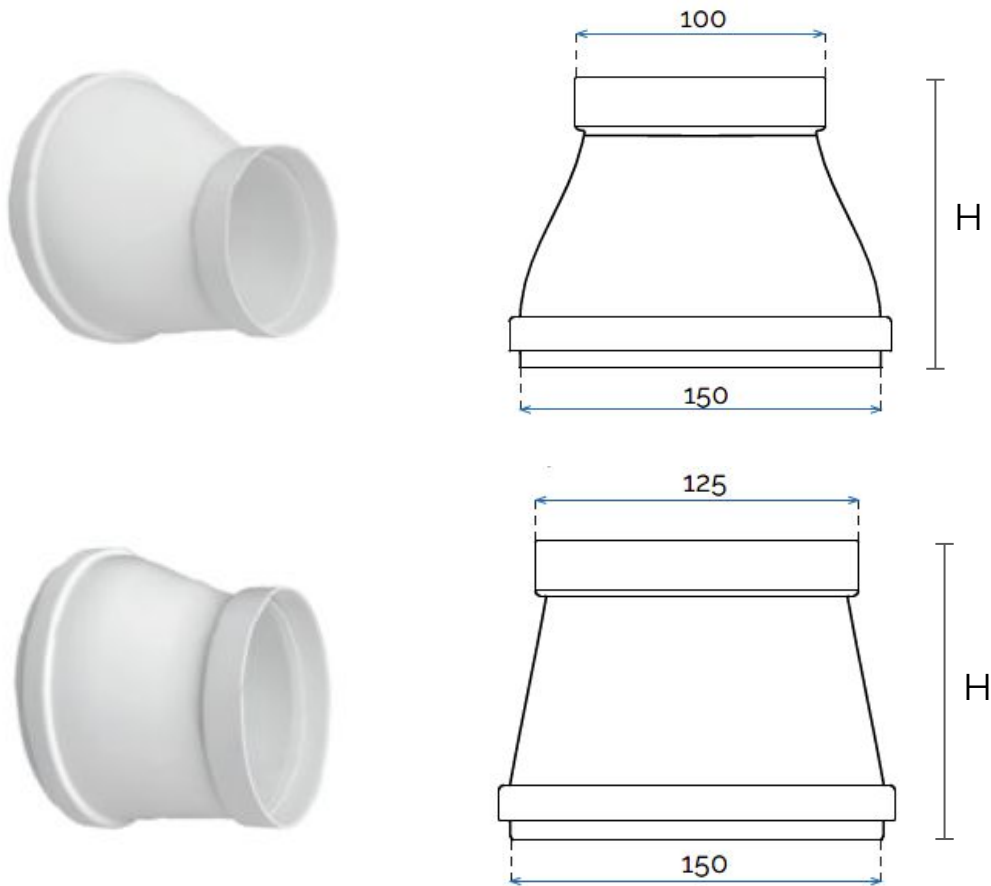
Description: Reduction cone for ducted ventilation

Material: ABS plastic

Features: The reduction cone allows you to switch from one pipe diameter to another without having to cut anything. It is part of the ducted ventilation system which allows rapid evacuation of vapors (max 80° C) and unpleasant odors from environments such as the kitchen or bathrooms and a healthy exchange of air.



White duct system



Item	Colour	H mm	Section \varnothing mm
CRCE1510B	white	120	from 100 to 150
CRCE1512B	white	120	from 125 to 150

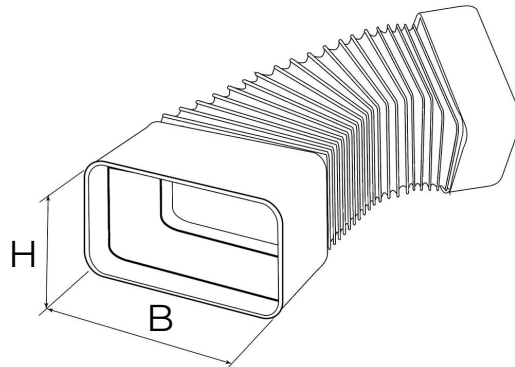
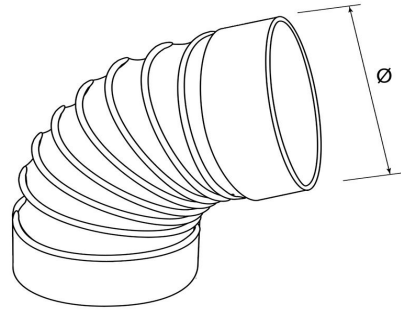
Description: Eccentric reducer for round duct pipes

Material: ABS plastic

Features: The eccentric reducer allows you to join two round pipes of different diameters. It is suitable for ducting cold and hot air with a maximum temperature of +80 degrees Celsius. It is part of the ducted ventilation system which allows rapid evacuation of vapors (max 80°C) and unpleasant odors from environments such as the kitchen or bathrooms and a healthy exchange of air.



White duct system



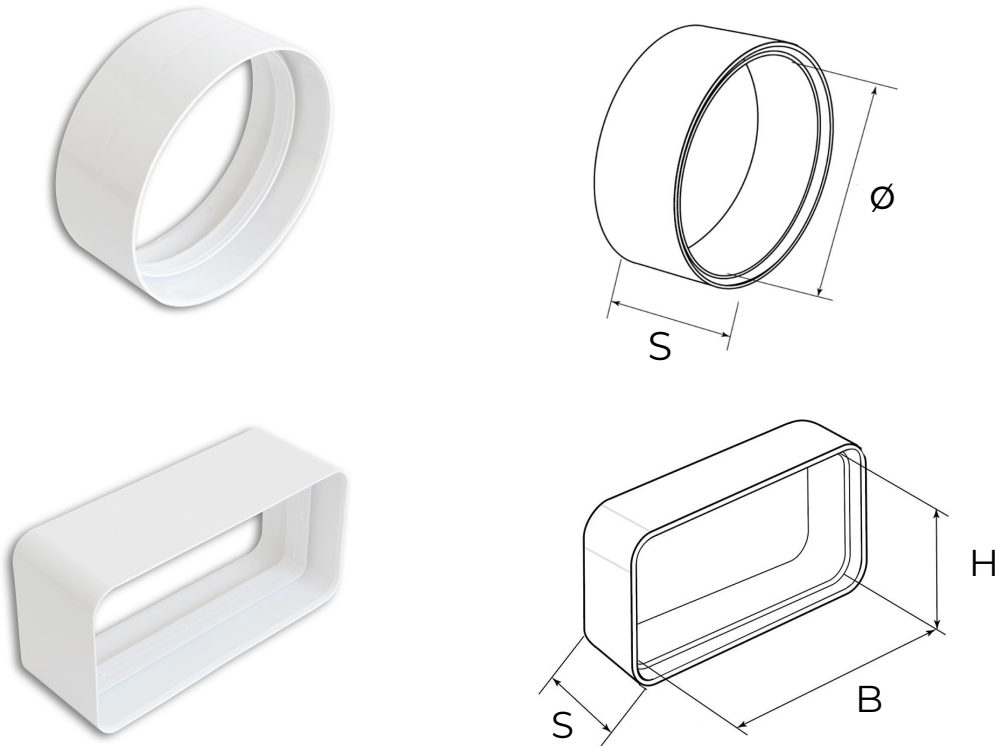
Item	Colour	BxH mm	Ø mm	Max extension cm
CGF100B	white	-	100	60
CGF125B	white	-	125	60
CGF150B	white	-	150	60
CGF126B	white	120x60	-	60
CGF157B	white	150x70	-	60
CGF229B	white	220x90	-	60

Description: Flexible bend FF coupling

Features: The flexible and extensible coupling with FF fittings allows you to connect two round or rectangular pipes. It is suitable for ducting cold and hot air with a maximum temperature of +80 degrees Celsius. It is part of the ducted ventilation system which allows rapid evacuation of vapors and unpleasant odors from environments such as the kitchen or bathrooms and a healthy exchange of air.



White duct system



Item	Colour	BxH mm	Section ϕ mm	Thickness mm
CG100B	white	-	100	40
CG125B	white	-	125	52
CG150B	white	-	150 internal	42
CG126B	white	120x60	-	40
CG157B	white	150x70	-	52
CG229B	white	220x90	-	42

Description: Duct FF connector

Material: ABS plastic

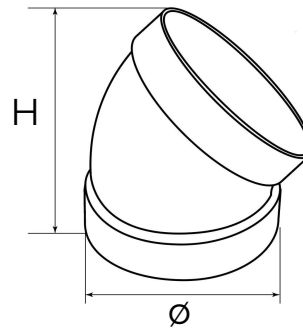
Features: The joint with FF inlets allows you to connect two pipes. It is suitable for cold and hot air ducts with a maximum temperature of 80 degrees Celsius. It is part of the ducted ventilation system which allows rapid evacuation of vapors (max 80°C) and unpleasant odors from environments such as the kitchen or bathrooms and a healthy exchange of air.



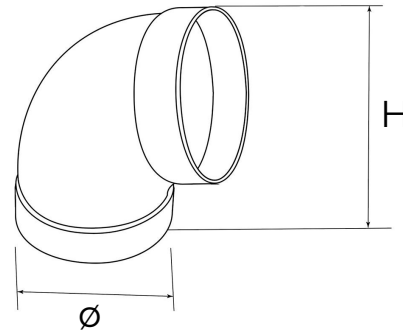
White duct system



45° round bend



90° round bend



Item	Colour	Curve degrees	Section \varnothing mm	H mm
CCR10045B	white	45°	100	109
CCR12545B	white	45°	125	135
CCR100B	white	90°	100	123
CCR125B	white	90°	125	154
CCR150B	white	90°	150 internal	179

Description: Round bend FF

Material: ABS plastic

Features: Bend with FF inlets useful for directing the ducting if necessary. It is part of the ducted ventilation system which allows a rapid evacuation of vapors (max 80°C) and unpleasant odors from environments such as the kitchen or bathrooms and a healthy exchange of air.



White duct system



Item	Colour	Fitting shape	Section \varnothing mm
CRY125B	<input type="text" value="white"/>	Y	125
CRT125B	<input type="text" value="white"/>	T	125

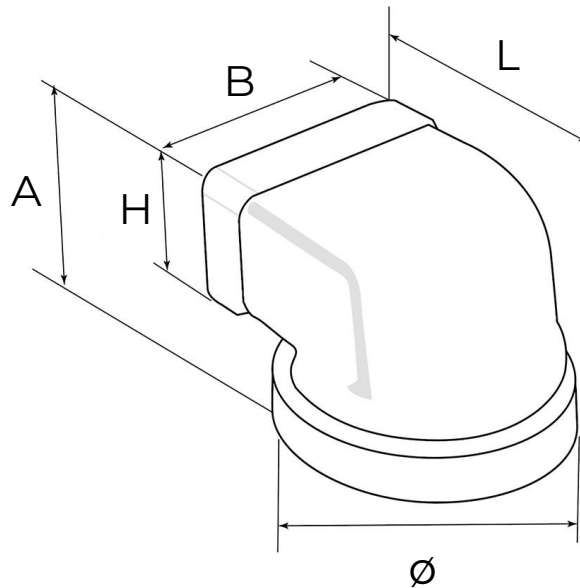
Description: FFF Fitting

Material: ABS plastic

Features: The Y and T fittings with 3 FFF entries are needed to connect several ventilation pipes. They are part of the ducted ventilation system which allow rapid evacuation of vapors (max 80°C) and unpleasant odors from environments such as the kitchen or bathrooms and a healthy air exchange.



White duct system



Item	Colour	BxH mm	Section \varnothing mm	L mm	A mm
CGV126B	white	120x60	100	123	83
CGV157B	white	150x70	125	178	98
CGV229B	white	220x90	150	180	110

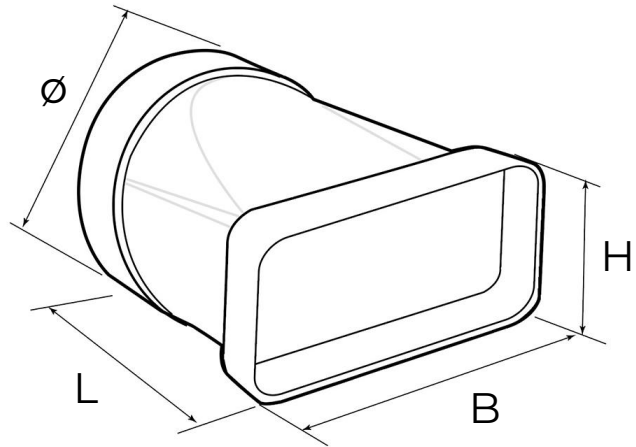
Description: 90° corner flat/round

Material: ABS plastic

Features: The vertical curve with FF entries allows you to switch from a round tube to a rectangular one (and vice versa). It is part of the ducted ventilation system which allows rapid evacuation of vapors (max 80°C) and unpleasant odors from environments such as the kitchen or bathrooms and a healthy air exchange.



White duct system



Item	Colour	BxH mm	Section \varnothing mm	L mm
CGO112B	white	120x60	100	124
CGO157B	white	150x70	125	132
CGO15157B	white	150x70	150	132
CGO229B	white	220x90	150	180

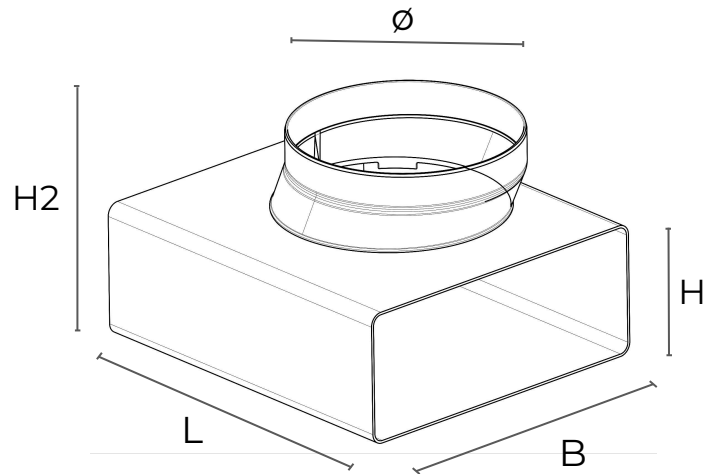
Description: Connector flat/round

Material: ABS plastic

Features: The connector with FF entries allows you to switch from a round tube to a rectangular one (and vice versa). It is part of the ducted ventilation system which allows rapid evacuation of vapors (max 80°C) and unpleasant odors from environments such as the kitchen or bathrooms and a healthy air exchange.



White duct system



Item	Colour	BxH mm	Section \varnothing mm	L mm	H2 mm
CRTV126B	white	120x60	100	200	110
CRTV157B	white	150x70	125	200	125
CRTV229B	white	220x90	150	250	140

Description: Flat T-joint with round eccentric spigot

Material: ABS plastic

Features: The eccentric T-fitting allows you to switch from a round pipe to a rectangular one (and vice versa) and can be connected to the pipes of the duct using joints and accessories. It is part of the ducted ventilation system which they allow rapid evacuation of vapors (max 80°C) and unpleasant odors from environments such as the kitchen or bathrooms and a healthy exchange of air.

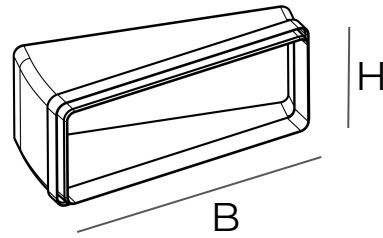


White duct system



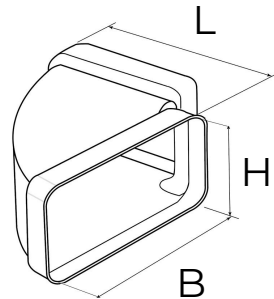
CCO22915B

15° flat bend MF
 · 2 bends = 30°
 · 3 bends = 45°



CCO126B
 CCO157B
 CCO229B

90° flat horizontal corner FF



Item	Colour	BxH mm	L mm
CCO22915B	white	220x90	-
CCO126B	white	120x60	143
CCO157B	white	150x70	178
CCO229B	white	220x90	245

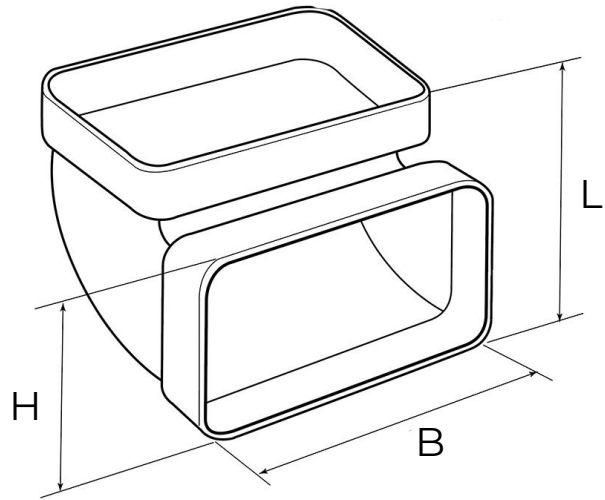
Description: Flat horizontal bend / corner

Material: ABS plastic

Features: The horizontal bend for rectangular pipes minimizes the pressure drop and dispersion of the air passage inside the duct. It is part of the ducted ventilation system which allow rapid evacuation of vapors (max 80°C) and unpleasant odors from environments such as the kitchen or bathrooms and a healthy exchange of air.



White duct system



Item	Colour	BxH mm	L mm
CCV126B	white	120x60	83
CCV157B	white	150x70	98
CCV229B	white	220x90	115

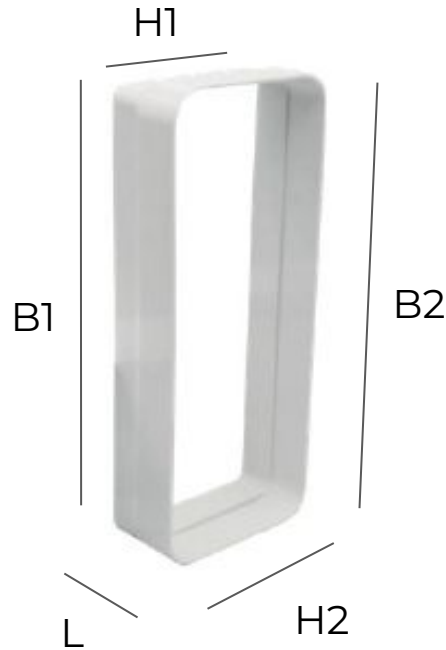
Description: 90° flat vertical corner FF

Material: ABS plastic

Features: The vertical bend with FF inlets for rectangular pipes is part of the ducted ventilation system which allows rapid evacuation of vapors (max 80°C) and unpleasant odors from environments such as kitchens or bathrooms and a healthy exchange of air.



White duct system



Item	Colour	B1xH1 mm	B2xH2 mm	L mm
CA22289B	white	220x90	222x89	43

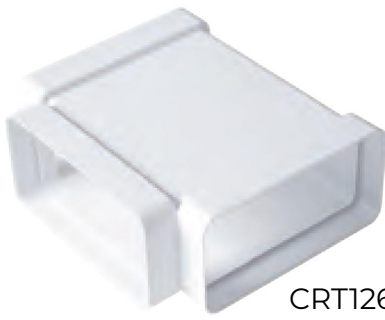
Description: Adapter FF between duct system 222x89mm and accessories 220x90mm

Material: ABS plastic

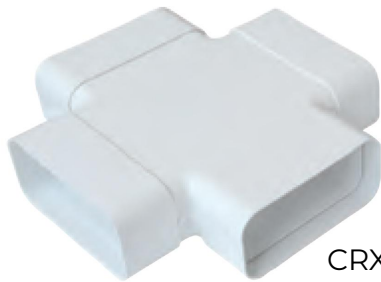
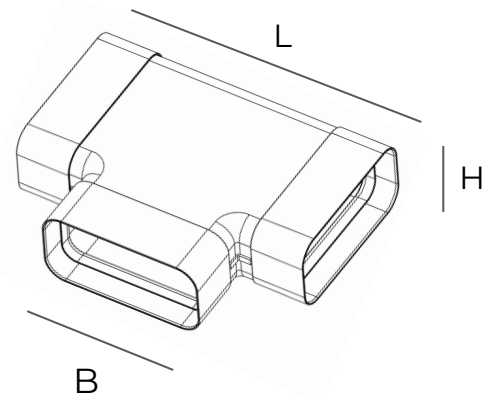
Features: The adapter FF allows to connect 222x89mm duct systems with 220x90mm rectangular ducts and accessories. It is part of the ducted ventilation system which allows rapid evacuation of vapors (max 80°C) and unpleasant odors from environments such as kitchens or bathrooms and a healthy exchange of air.



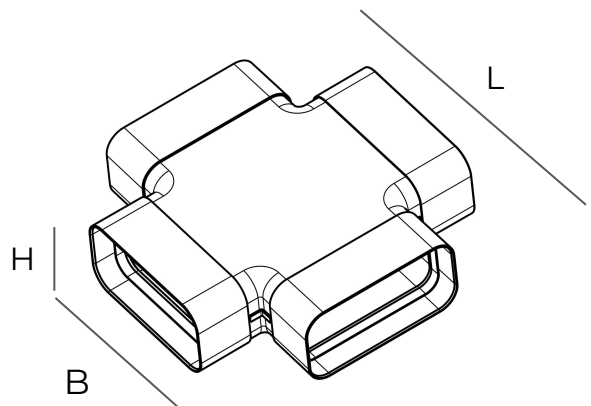
White duct system



CRT126B - CRT157B
Flat tee FFF



CRX157B
Flat cross joint FFFF



Item	Colour	BxH mm	L mm
CRT126B	white	120x60	164
CRT157B	white	150x70	284
CRX157B	white	150x70	284

Description:

Rectangular flat joint

Material:

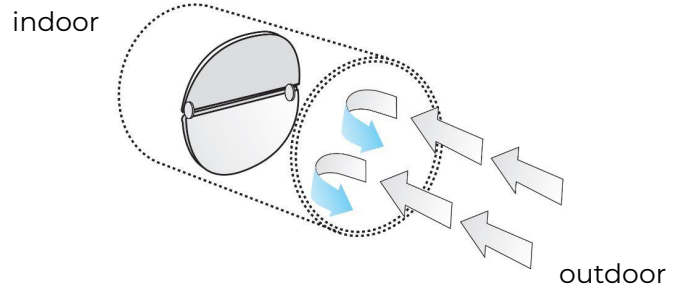
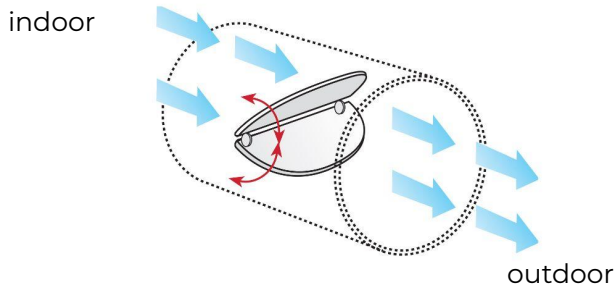
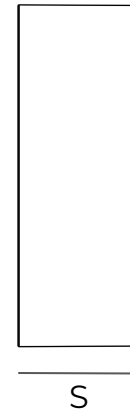
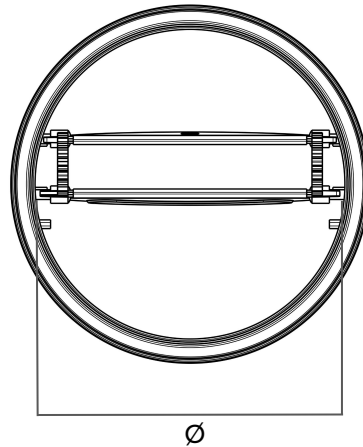
ABS plastic

Features:

The fittings are complete with female inlet connections and are used to connect several ducts. They are part of the ducted ventilation system which allows rapid evacuation of vapors (max 80°C) and unpleasant odors from environments such as the kitchen or bathrooms and a healthy exchange of air.



White duct system



Item	Colour	Ø mm	S mm
VLG100B	white	from 100 to 110	40

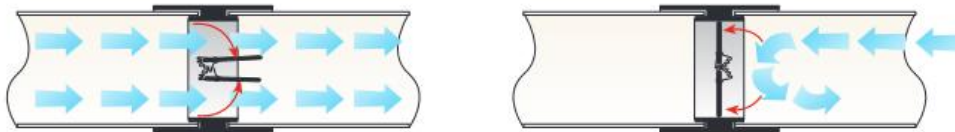
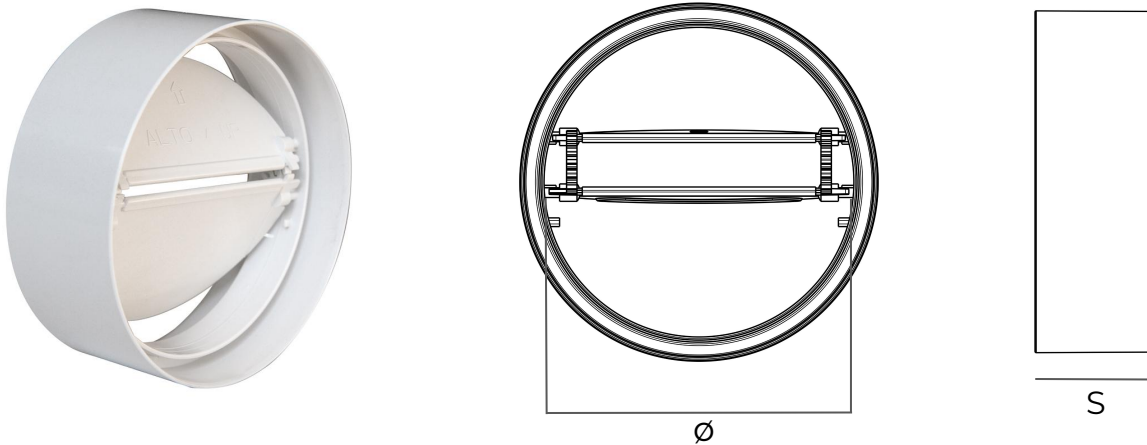
Description: Backdraft damper duct with gasket

Material: ABS

Features: The backdraft damper with butterfly valve is suitable for insertion in pipes \varnothing 100-110 mm thanks to the compensating gasket. It is part of the ducted ventilation system which allows rapid evacuation of vapors (max 80°C) and unpleasant odors from environments such as the kitchen or bathrooms and a healthy exchange of air.



White duct system



Item	Colour	Ø mm	S mm
CVL100B	white	100	40
CVL125B	white	125	52
CVL150B	white	150 internal	41,8

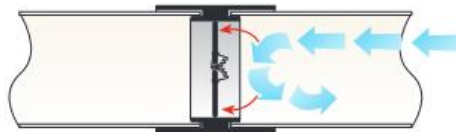
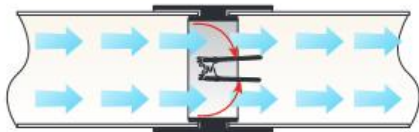
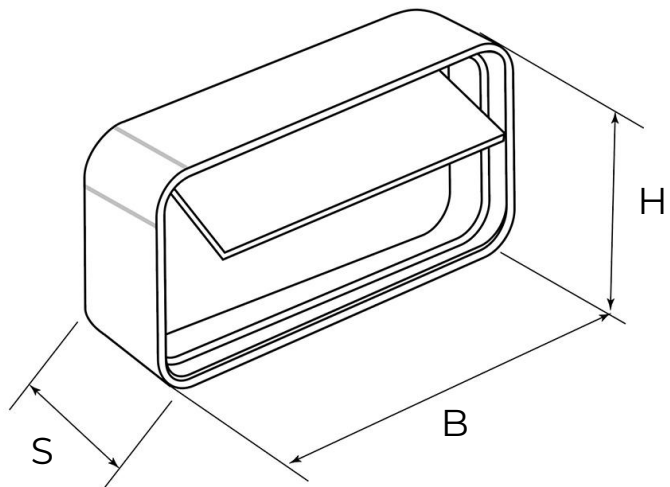
Description: Round connector FF with backdraft damper duct

Material: ABS

Features: The connector with butterfly valve prevents outside air from entering the duct. It is part of the ducted ventilation system which allows rapid evacuation of vapors (max 80°C) and unpleasant odors from environments such as the kitchen or bathrooms and a healthy exchange of air.



White duct system



Item	Colour	BxH mm	S mm
CVL126B	white	120x60	40
CVL157B	white	150x70	52
CVL229B	white	220x90	41,8

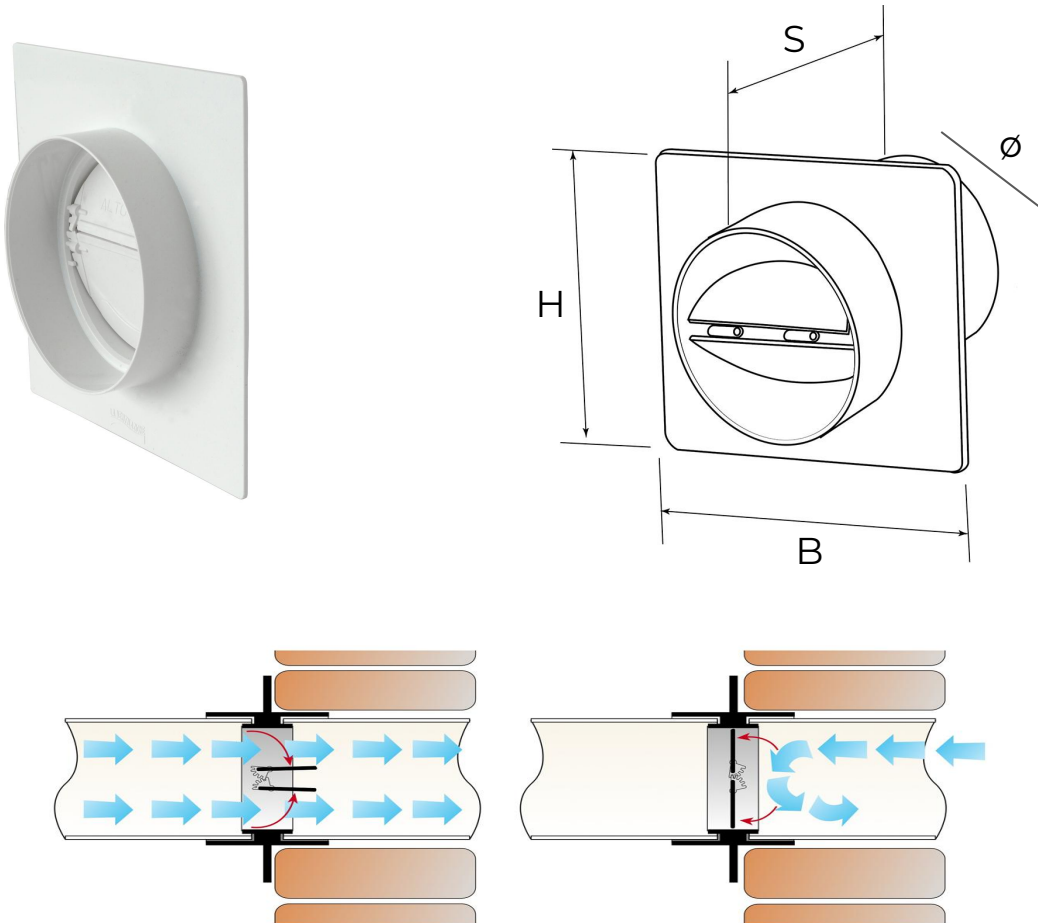
Description: Flat connectors FF with backdraft damper duct

Material: ABS

Features: The joint with butterfly valve for rectangular pipes prevents outside air from entering the duct. It is part of the ducted ventilation system which allows rapid evacuation of vapors (max 80°C) and unpleasant odors from environments such as the kitchen or bathrooms and a healthy exchange of air.



White duct system



Item	Colour	BxH mm	Ø mm	S mm
PMV100B	white	160x160	100	54
PMV125B	white	160x160	125	55

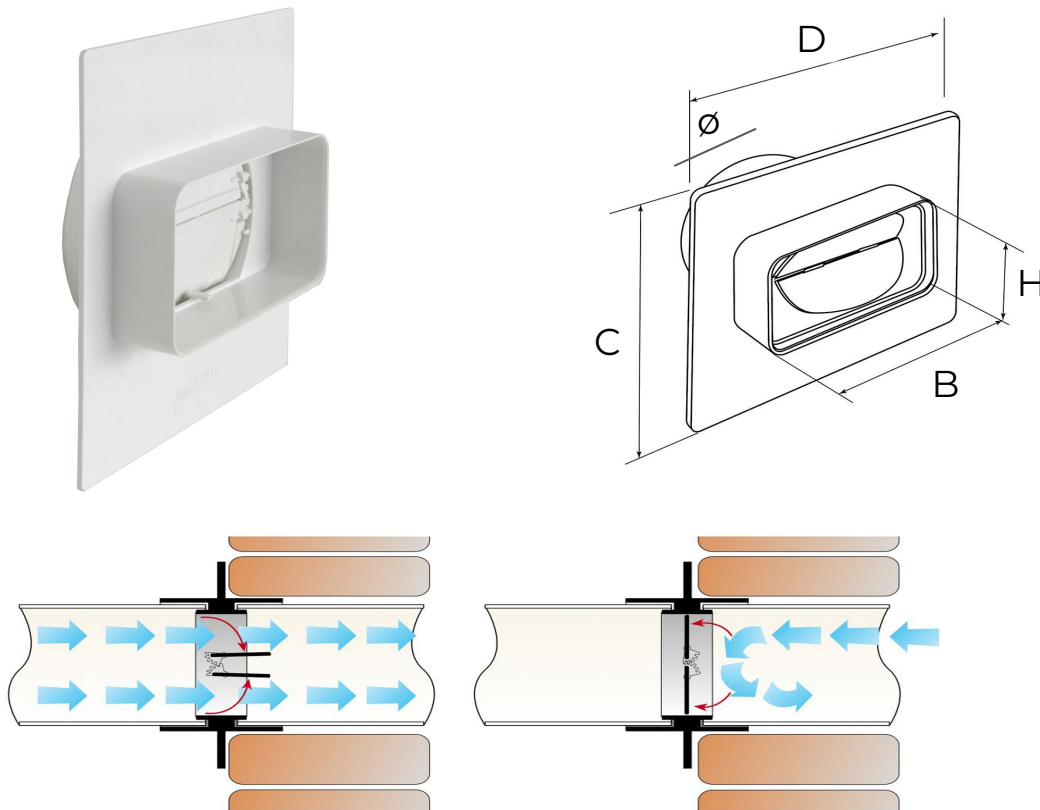
Description: Wall plate with round flange connector and backdraft damper

Material: ABS

Features: The wall passage plate prevents outside air from entering the duct. It is part of the ducted ventilation system which allows rapid evacuation of vapors (max 80°C) and unpleasant odors from environments such as the kitchen or bathrooms and a healthy exchange of air.



White duct system



Item	Colour	BxH mm	CxD mm	Ø mm
PMV126B	white	120x60	160x160	100
PMV157100B	white	150x70	160x160	100
PMV157B	white	150x70	160x160	125

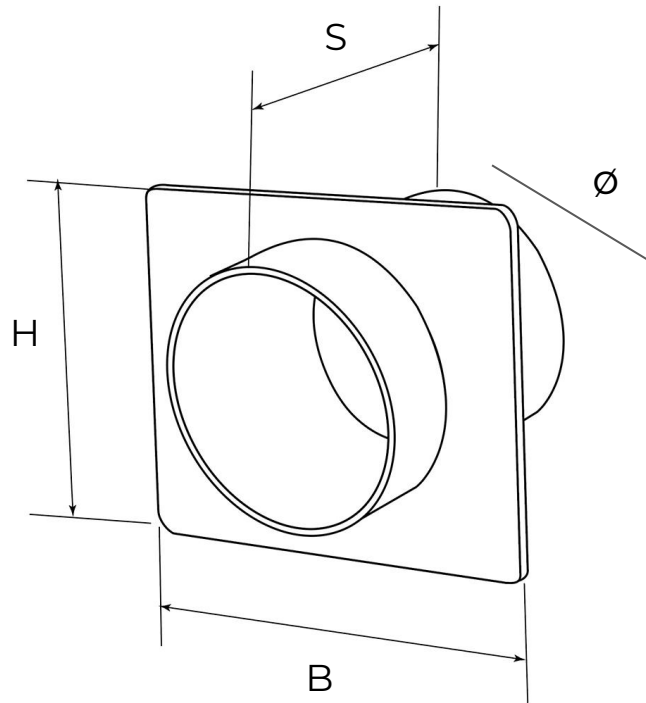
Description: Wall plate with round/flat flange connector and backdraft damper

Material: ABS

Features: The wall passage plate from round tube to rectangular tube prevents outside air from entering the duct. It is part of the ducted ventilation system which allows rapid evacuation of vapors (max 80°C) and unpleasant odors from environments such as the kitchen or bathrooms and a healthy exchange of air.



White duct system



Item	Colour	BxH mm	Ø mm	S mm
PM100B	white	160x160	100	54
PM125B	white	160x160	125	55

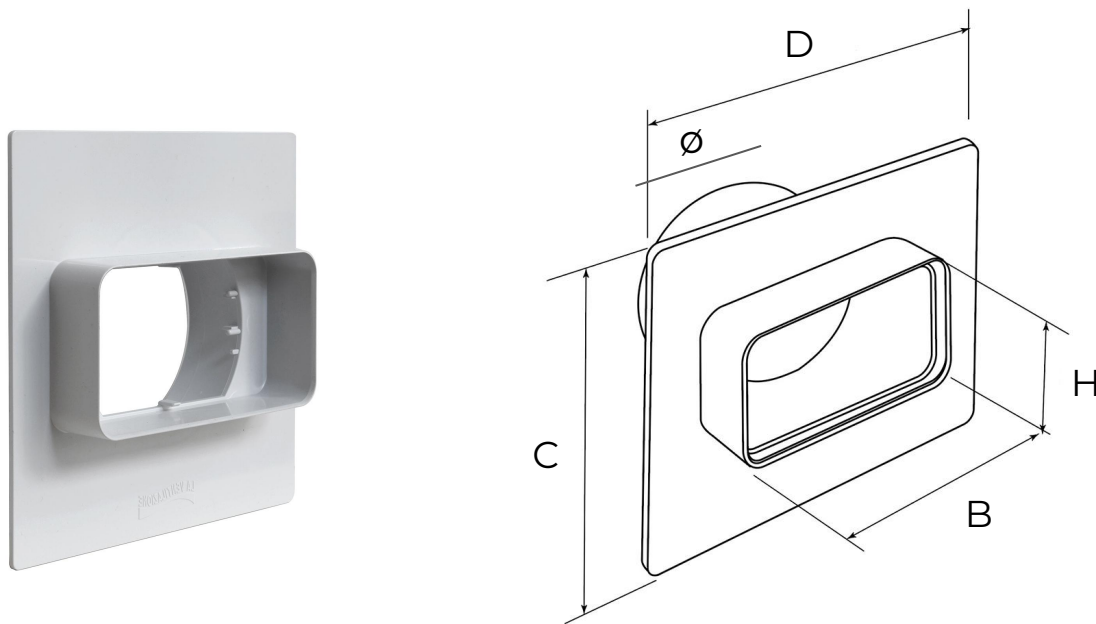
Description: Connector with wall plate and gasket for round duct

Material: ABS

Features: The wall connector plate is part of the ducted ventilation system which allows rapid evacuation of vapors (max 80°C) and unpleasant odors from environments such as the kitchen or bathrooms and a healthy exchange of air.



White duct system



Item	Colour	BxH mm	CxD mm	Ø section mm
PM126B	white	120x60	160x160	100
PM157100B	white	150x70	160x160	100
PM157B	white	150x70	160x160	125

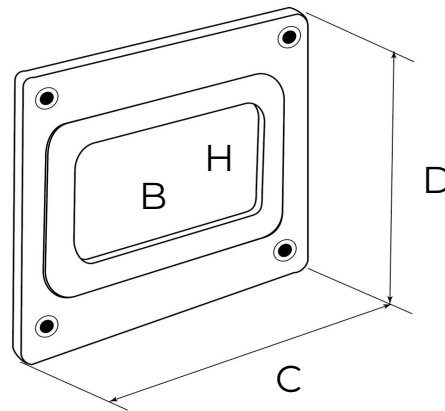
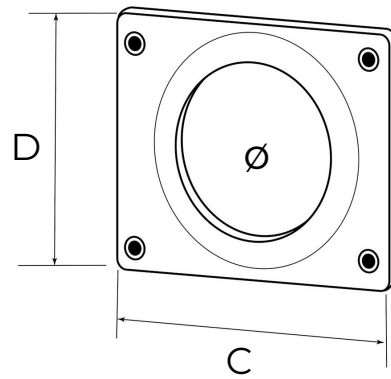
Description: Wall plate with round/flat flange connector and gasket

Material: ABS

Features: The wall connector plate is part of the ducted ventilation system which allows rapid evacuation of vapors (max 80°C) and unpleasant odors from environments such as the kitchen or bathrooms and a healthy exchange of air.



White duct system



Item	Colour	BxH mm	CxD mm	Ø mm
CF1916100B	white	-	190x160	100-125
CF1916126B	white	120x60	190x160	-

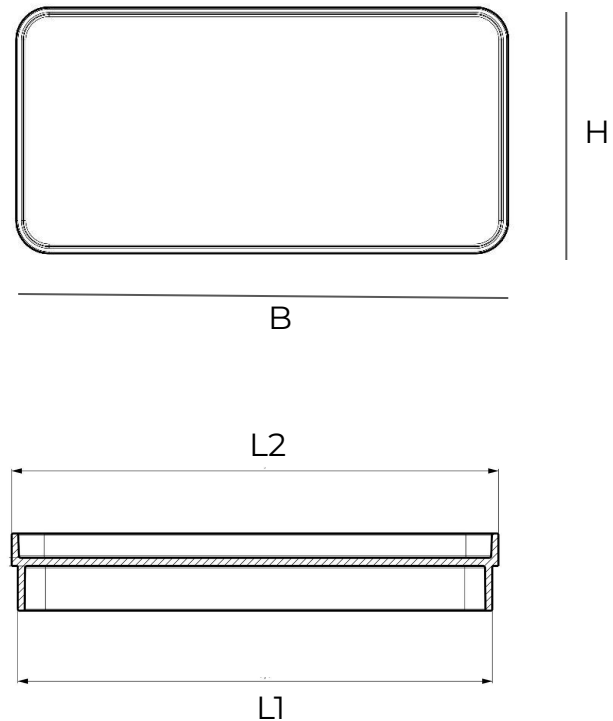
Description: Hole cover wall plate

Material: ABS plastic

Features: The hole cover prevents any cracks in the wall from being seen after coring. It is part of the ducted ventilation system which allows rapid evacuation of vapors (max 80°C) and unpleasant odors from environments such as the kitchen or bathrooms and a healthy exchange of air.



White duct system



Item	Colour	BxH mm	S mm	L1 mm	L2 mm
CTAP126B	white	120x60	19	117	120
CTAP157B	white	150x70	24	147	150
CTAP229B	white	220x90	43	216	220

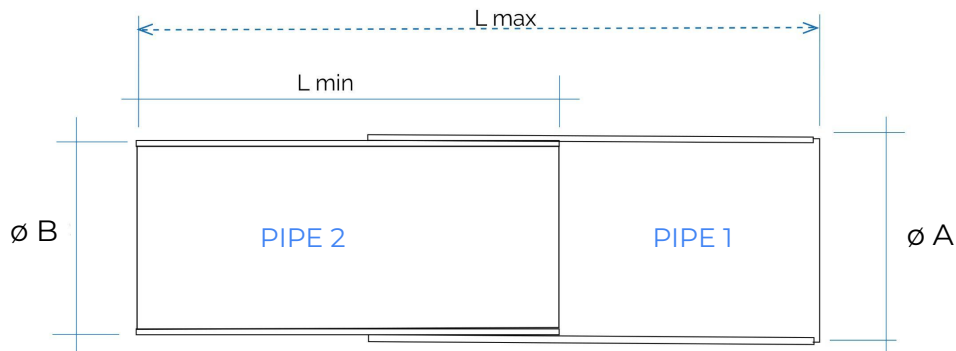
Description: End cap for ducts and accessories

Material: ABS

Features: The closing cap is used to interrupt the air flow and is suitable for both "narrow side L1" ducted pipes and for "wide side L2" accessories. It is part of the ducted ventilation system which allows rapid evacuation of vapors (max 80°C) and unpleasant odors from environments such as the kitchen or bathrooms and a healthy exchange of air.



Telescopic pipes



Item	Colour	Pipe 1 ø A mm	Pipe 2 ø B mm	L min mm	L max mm
TB10TG	grey	100	97	300	580
TB12TG	grey	125	120	300	580
TB16TG	grey	160	154	280	540

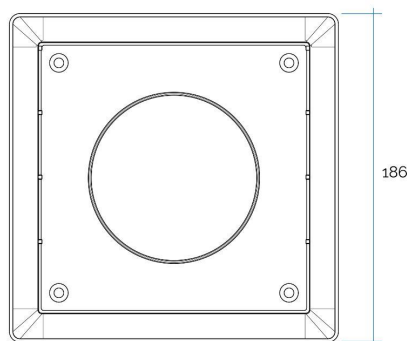
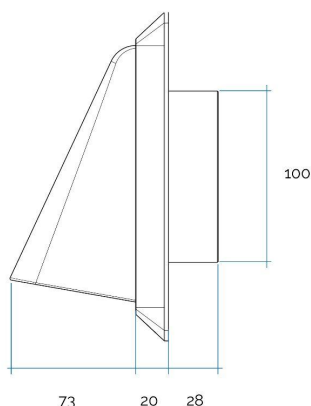
Description: Telescopic pipe for duct system

Material: PVC

Features: The telescopic pipe ensures practicality and time savings during installation, as you can choose the desired size without cutting pipes. It is part of the ducted ventilation system which allows rapid evacuation of vapors (max 80°C) and unpleasant odors from environments such as the kitchen or bathrooms and a healthy exchange of air.



Cowled hooded ventilation wall grilles for round pipes



Item	Colour	Non-return valve	Insect screen	∅ spigot mm	Pass Air cm ²
CP19100B	white	✓	-	100	73
CP19100RB	white	-	✓	100	73
CP19125B	white	✓	-	125	100
CP19125RB	white	-	✓	125	100
CP19150B	white	✓	-	150	100
CP19150RB	white	-	✓	150	100

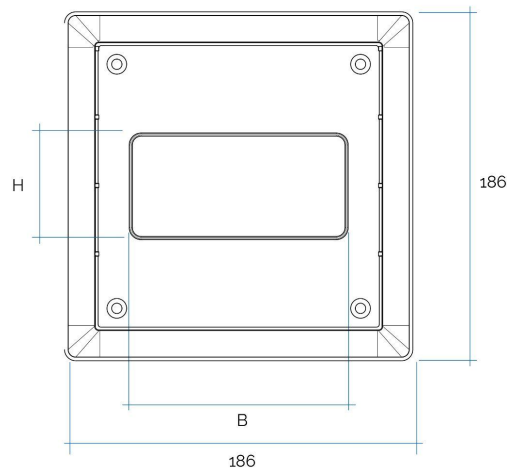
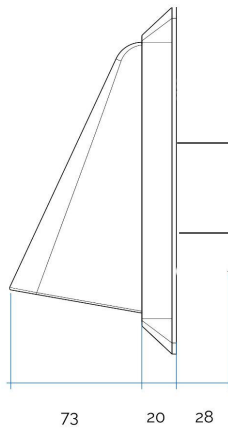
Description: Cowled hooded ventilation wall grille for round pipes in duct system

Material: ABS plastic

Features: The windproof hood must be installed as an external terminal accessory on the wall. It is part of the ducted ventilation system which allows rapid evacuation of vapors (max 80°C) and unpleasant odors from environments such as the kitchen or bathrooms and a healthy exchange of air.



Cowled hooded ventilation wall grilles for rectangular pipes



Item	Colour	Non-return valve	Insect screen	BxH mm	Pass Air cm ²
CP19126B	white	✓	-	120x60	65
CP19126RB	white	-	✓	120x60	65
CP19157B	white	✓	-	150x70	98
CP19157RB	white	-	✓	150x70	98

Description: Cowled hooded ventilation wall grille for rectangular pipes in duct system

Material: ABS plastic

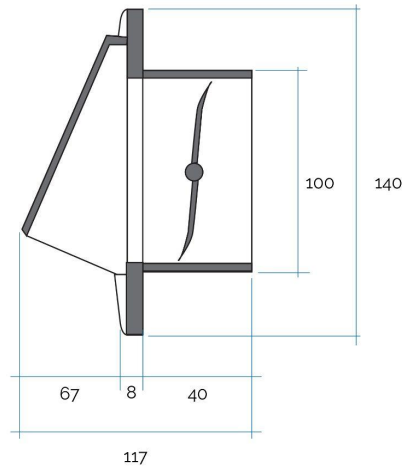
Features: The windproof hood must be installed as an external terminal accessory on the wall. It is part of the ducted ventilation system which allows rapid evacuation of vapors (max 80°C) and unpleasant odors from environments such as the kitchen or bathrooms and a healthy exchange of air.



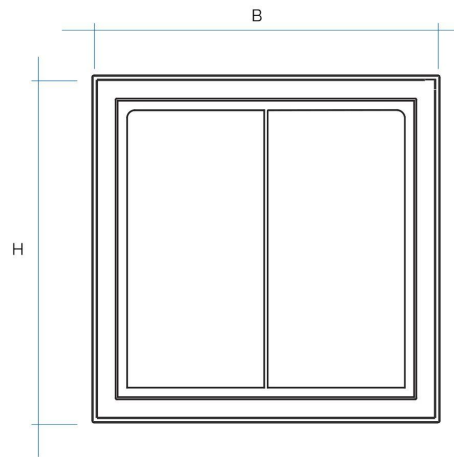
Cowled hooded ventilation wall grilles



CP1515B



CP2424B



Item	Colour	Insect screen	Non-return valve	BxH mm	Pass Air cm ²
CP1515B	white	-	✓	140x140	-
CP2424B	white	-	-	240x240	100
CPR2424B	white	✓	-	240x240	100

Description: Cowled hooded ventilation wall grille for round pipes in duct system

Material: ABS plastic

Features: The windproof hood must be installed as an external terminal accessory on the wall. It is part of the ducted ventilation system which allows rapid evacuation of vapors (max 80°C) and unpleasant odors from environments such as the kitchen or bathrooms and a healthy exchange of air.



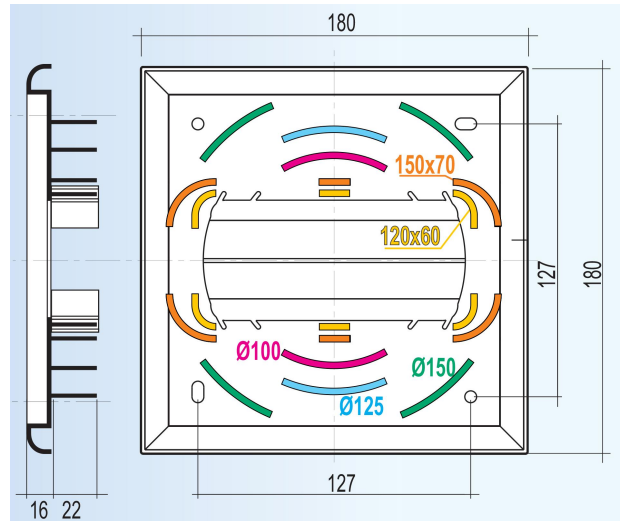
Grilles for duct system



“SU1818B” grille with pressure-relief flaps



“GU1818B” grille with rainproof flaps



Item	Colour	Rainproof flaps	Pressure relief flaps	BxH mm
SU1818B	white	-	✓	180x180
GU1818B	white	✓	-	180x180

Description: “SU - GU” type grilles for duct system

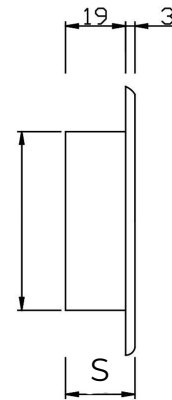
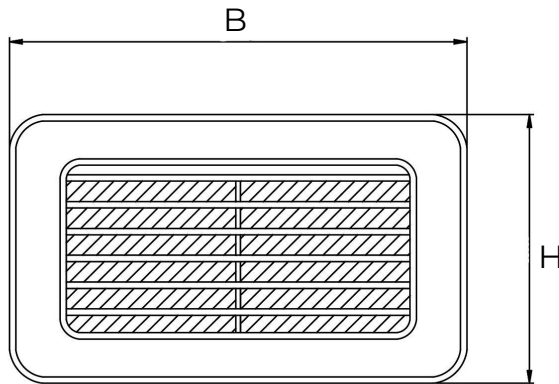
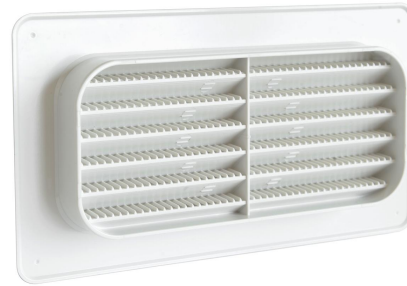
Material: ABS plastic

Features: The “SU-GU” type grilles are to be installed as an external terminal accessory on the wall. They are equipped with a universal spigot and therefore suitable for round pipes \varnothing 100 - 125 - 150 mm and for rectangular pipes dim. 120x60 and 150x70mm. They are part of the ducted ventilation system which allows rapid evacuation of vapors (max 80°C) and unpleasant odors from environments such as the kitchen or bathrooms and a healthy exchange of air.



DATA SHEET

Grilles for duct system



Item	Colour	BxH mm	Hole mm	Pass Air cm ²	Insect screen	S mm
C126B	white	145x85	118x58	35	-	22
C157B	white	180x100	148x68	55	-	22
C229B	white	256x126	216x86	110	-	22
C126RB	white	145x85	118x58	30	✓	22
C157RB	white	180x100	148x68	50	✓	22
C229RB	white	256x126	216x86	107	✓	22

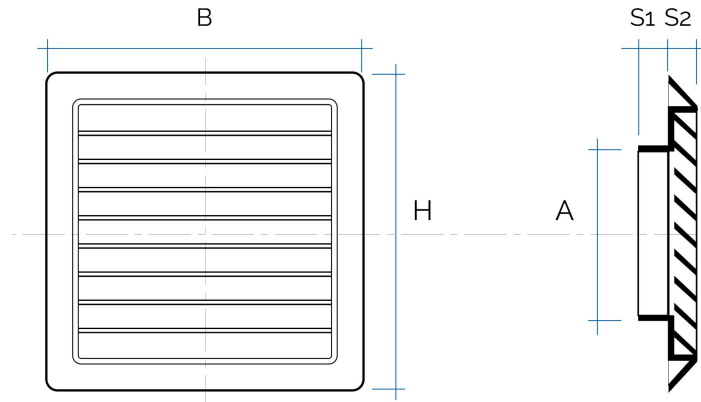
Description: Recessed mounting “C” type grille for rectangular pipes in duct system

Material: ABS plastic

Features: The “C” type grille must be installed as an external terminal accessory on the wall. It is part of the ducted ventilation system which allows rapid evacuation of vapors (max 80°C) and unpleasant odors from environments such as the kitchen or bathrooms and a healthy exchange of air.



Grilles for duct system



Item	Colour	BxH mm	A ø mm	S1 mm	S2 mm	Insect screen
C19100B	white	185x185	97	28	20	-
C19100RB	white	185x185	97	28	20	✓
C19125B	white	185x185	121	28	20	-
C19125RB	white	185x185	121	28	20	✓
C19150B	white	185x185	150	28	20	-
C19150RB	white	185x185	150	28	20	✓

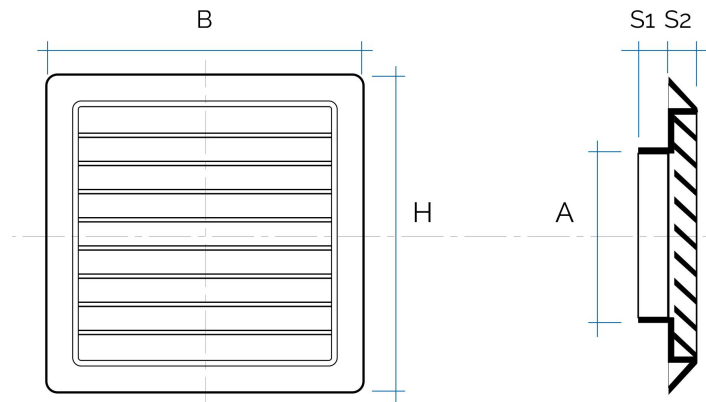
Description: Grilles with rainproof flaps and spigot for round duct system

Material: ABS plastic

Features: The grille must be installed as an external terminal accessory on the wall. It is part of the ducted ventilation system which allows rapid evacuation of vapors (max 80°C) and unpleasant odors from environments such as the kitchen or bathrooms and a healthy exchange of air.



Grilles for duct system



Item	Colour	BxH mm	A mm	S1 mm	S2 mm	Insect screen
C19126B	white	185x185	117x57	28	20	-
C19126RB	white	185x185	117x57	28	20	✓
C19157B	white	185x185	147x67	28	20	-
C19157RB	white	185x185	147x67	28	20	✓

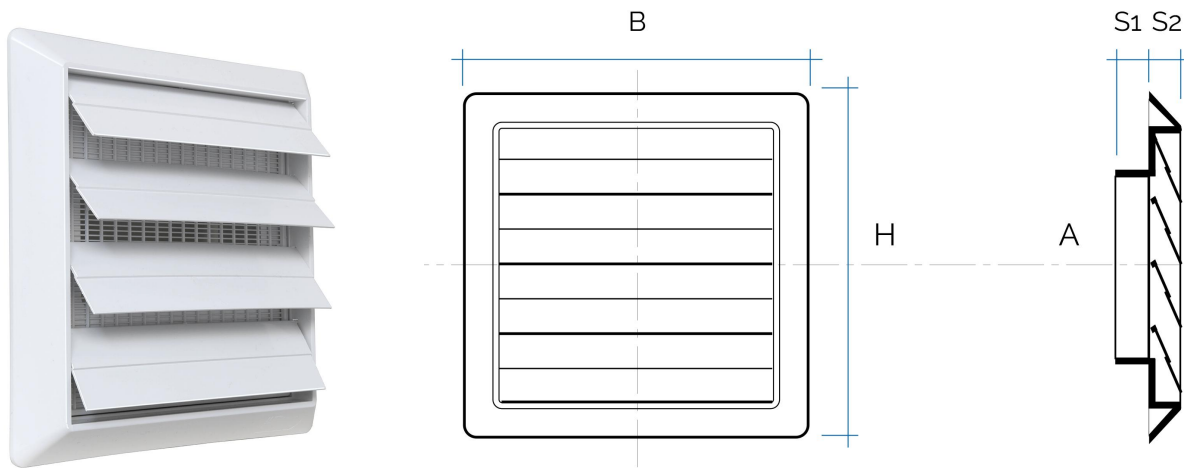
Description: Grilles with rainproof flaps and spigot for rectangular duct system

Material: ABS plastic

Features: The grille must be installed as an external terminal accessory on the wall. It is part of the ducted ventilation system which allows rapid evacuation of vapors (max 80°C) and unpleasant odors from environments such as the kitchen or bathrooms and a healthy exchange of air.



Grilles for duct system



Item	Colour	BxH mm	A \varnothing mm	S1 mm	S2 mm	Insect screen
S19100B	white	185x185	97	28	20	-
S19100RB	white	185x185	97	28	20	✓
S19125B	white	185x185	121	28	20	-
S19125RB	white	185x185	121	28	20	✓
S19150B	white	185x185	150	28	20	-
S19150RB	white	185x185	150	28	20	✓

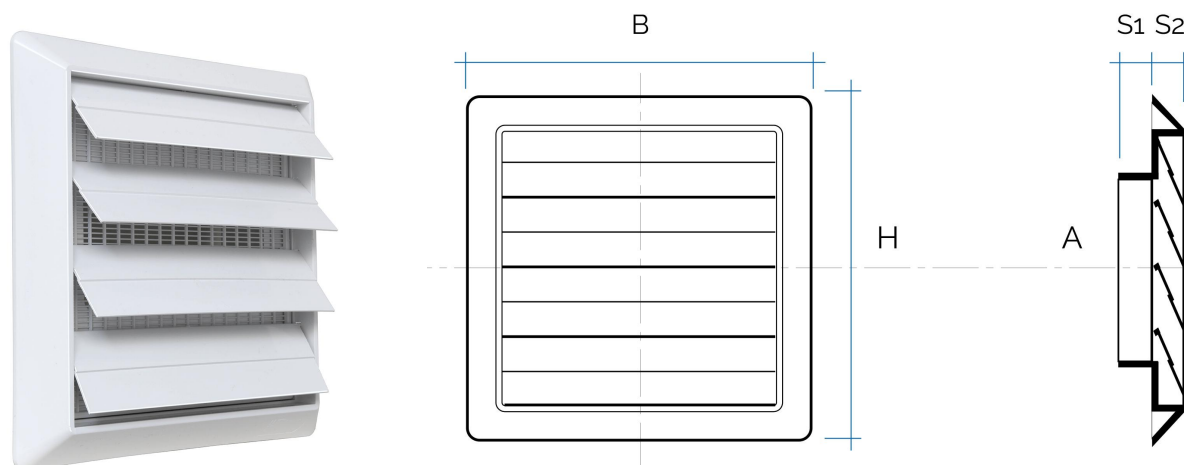
Description: Grilles with pressure-relief flaps and spigot for round duct system

Material: ABS plastic

Features: The grille must be installed as an external terminal accessory on the wall. It is part of the ducted ventilation system which allows rapid evacuation of vapors (max 80°C) and unpleasant odors from environments such as the kitchen or bathrooms and a healthy exchange of air.



Grilles for duct system



Item	Colour	BxH mm	A mm	S1 mm	S2 mm	Insect screen
S19126B	white	185x185	117x57	28	20	-
S19126RB	white	185x185	117x57	28	20	✓
S19157B	white	185x185	147x67	28	20	-
S19157RB	white	185x185	147x67	28	20	✓

Description: Grilles with pressure-relief flaps and spigot for rectangular duct system

Material: ABS plastic

Features: The grille must be installed as an external terminal accessory on the wall. It is part of the ducted ventilation system which allows rapid evacuation of vapors (max 80°C) and unpleasant odors from environments such as the kitchen or bathrooms and a healthy exchange of air.

